



PATIO HORIZON GAS FIREPLACE RANGE **INSTALLATION & OPERATING INSTRUCTIONS**



IMPORTANT:

INSTALLER, PLEASE LEAVE THESE INSTRUCTIONS WITH THE UNIT ON COMPLETION.

Head Office – 13 French Avenue, Brendale, Queensland 4500

Telephone – PH: (07) 3490 5500

Facsimile – FAX: (07) 3490 5520

Website: - www.jetmaster.com.au

Business hours: - Monday to Thursday 7:30am-4:00pm. Friday 7:30am-2:00pm

Email: - sales@jetmaster.com.au

14/12/2021

Ver. 27

1



INSTALLATION INSTRUCTIONS FOR PATIO HORIZON GAS FIREPLACE RANGE

TABLE OF CONTENTS:

3 - GENERAL INFORMATION
4 – DIMENSIONS – RECTANGULAR BURNER
5 – DIMENSIONS – ROUND BURNER
6 – RECTANGLE- DRAINAGE AND VENTILATION
7 – RECTANGLE- DRAINAGE AND VENTILATION-CROSS FLOW
8– ROUND- DRAINAGE AND VENTILATION
9 – ROUND- DRAINAGE AND VENTILATION-CROSS FLOW
10 – RECTANGLE BURNER
11 – AC ADAPTOR RETROFIT
12 – PATIO HORIZON PANORAMIC DIMENSIONS
13 – PATIO HORIZON PANORAMIC SHEETING DETAIL
14 – TIMBER FRAMING INFORMATION
15 – PATIO HORIZON PANORAMIC MASONRY DIMENSIONS
16 – PATIO HORIZON PANORAMIC MASONRY TRIM OPTION
17 – PATIO HORIZON DOUBLE SIDED ISLAND DIMENSIONS -1
18 – PATIO HORIZON DOUBLE SIDED ISLAND SHEETING -2
19 – PATIO HORIZON DOUBLE SIDED ISLAND FRAMING -3
20 – PATIO HORIZON ISLAND DIMENSIONS -1
21 – PATIO HORIZON ISLAND DIMENSIONS -2
22 – STABILITY
23 – PATIO HORIZON ONYX DIMENSIONS
24 – CLEARANCES FOR RECTANGULAR AND ONYX BURNERS
25 – REMOTE CONTROL PROGRAMMING
26 – TOUCHABILITY OF FLAMES
27 – LOCATION REQUIREMENTS (1)
28 – LOCATION REQUIREMENTS (2)
29 -- WARRANTY



INSTALLATION INSTRUCTIONS FOR PATIO HORIZON GAS FIREPLACE RANGE

- The flueless patio horizon gas fireplace come standard with, fireplace casing with porcelain liners, 304 grade stainless steel burner (72Mj) glass bead media, glass fender and on / off wall switch.
- As per the diagram this can be installed into a timber framework with a non – combustible zone of 150mm above the top of the fireplace where a minimum 9mm fibre cement sheeting is to be used to clad wall.
- 50mm clearance from sides and back of appliance to any combustible material.
- **This unit can only be installed into an outside area with sufficient ventilation as per gas regulations (minimum 2 open sides).**
- This unit is battery pack operated using 2x D size batteries.
- To change batteries, burner will need to be removed to access battery pack.
- AC adaptor included to convert unit to 240v ignition.
- Ignition on / off switch is located on right hand side of the firebox. This can be extended to a more user friendly location.

• **IMPORTANT: There must be sufficient drainage under all appliances to allow for water and excess moisture to completely dry so components are not affected**

• **IMPORTANT: Combustible covers must not be used on any outdoor appliance as this will create a fire hazard.**

IMPORTANT:

Installation of this appliance should only be carried out by an authorised person in accordance with the manufacturers instruction. All relevant codes and regulations laid down by the gas authorities uniform building regulations and the requirements of local municipal authorities must be observed.

Appliance installation must comply with AS5601/AG5601 clause 5.12.13.2 and 5.12.13.5.

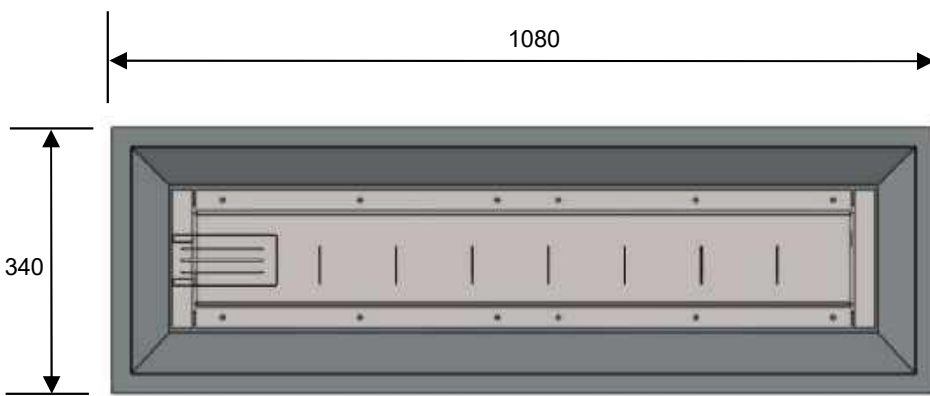
DATA PLATE:

Refer to the data plate for information in respect of gas type, Natural and LPG (propane). The data plate is located on the base of unit and is accessed by lifting the burner.

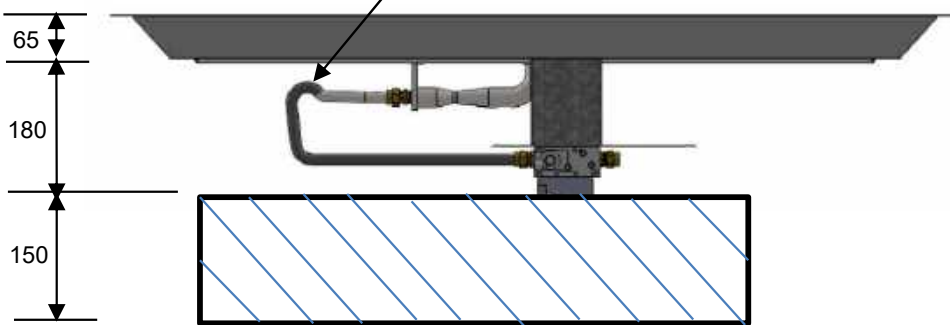


INSTALLATION INSTRUCTIONS FOR PATIO HORIZON GAS FIREPLACE RANGE

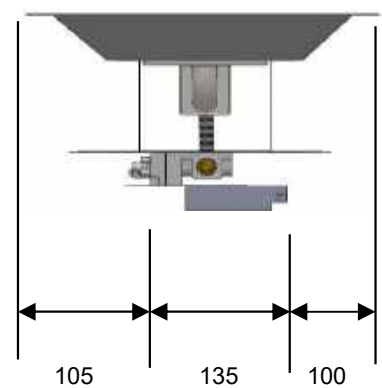
DIMENSIONS



NOTE: THE FLEX LINE INLET TO THE VENTURI MUST HAVE A GOOSE NECK BEND TO PREVENT WATER FLOWING TO THE VALVE



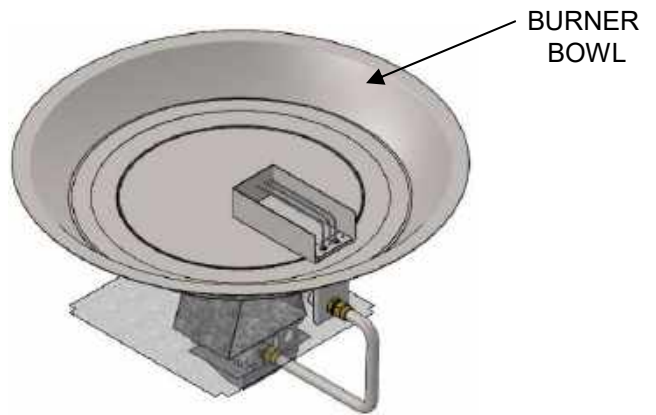
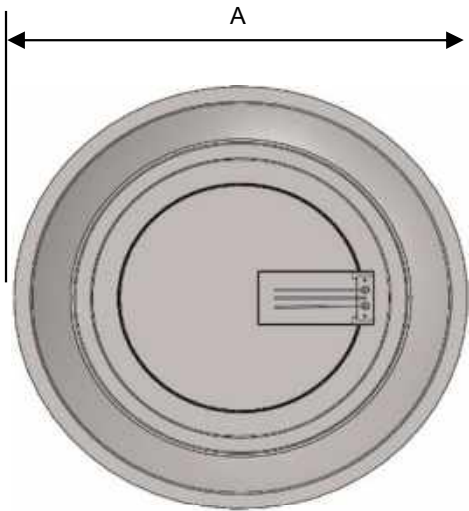
NOTE: MINIMUM CLEARANCE REQUIRED FROM THE UNDERSIDE OF THE MODULE BOX UPON INSTALLATION



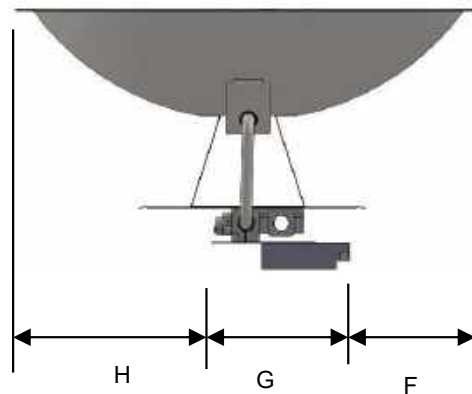
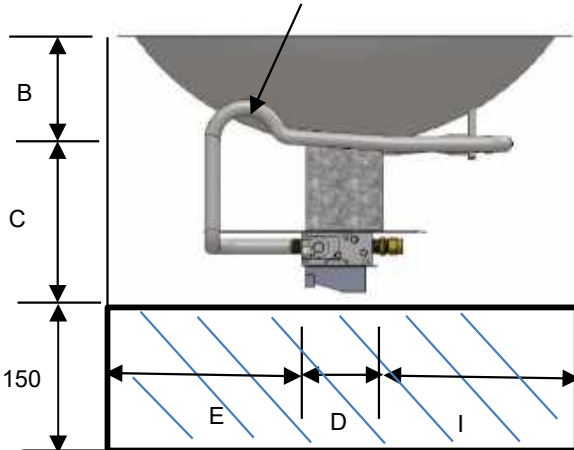


INSTALLATION INSTRUCTIONS FOR PATIO HORIZON GAS FIREPLACE RANGE

DIMENSIONS



NOTE: THE FLEX LINE INLET TO THE VENTURI MUST HAVE A GOOSE NECK BEND TO PREVENT WATER FLOWING TO THE VALVE



NOTE: MINIMUM CLEARANCE REQUIRED FROM THE UNDERSIDE OF THE MODULE BOX UPON INSTALLATION

	A	B	C	D	E	F	G	H	I
MEASUREMENT	530	125	200	80	230	185	135	210	220



INSTALLATION INSTRUCTIONS FOR PATIO HORIZON GAS FIREPLACE RANGE

VENTILATION



The housing for the burner must be placed on a surface that is sealed and is not prone to moisture retention.

NOTE: The example cut outs shown on this face also needs to be installed on the adjacent face.

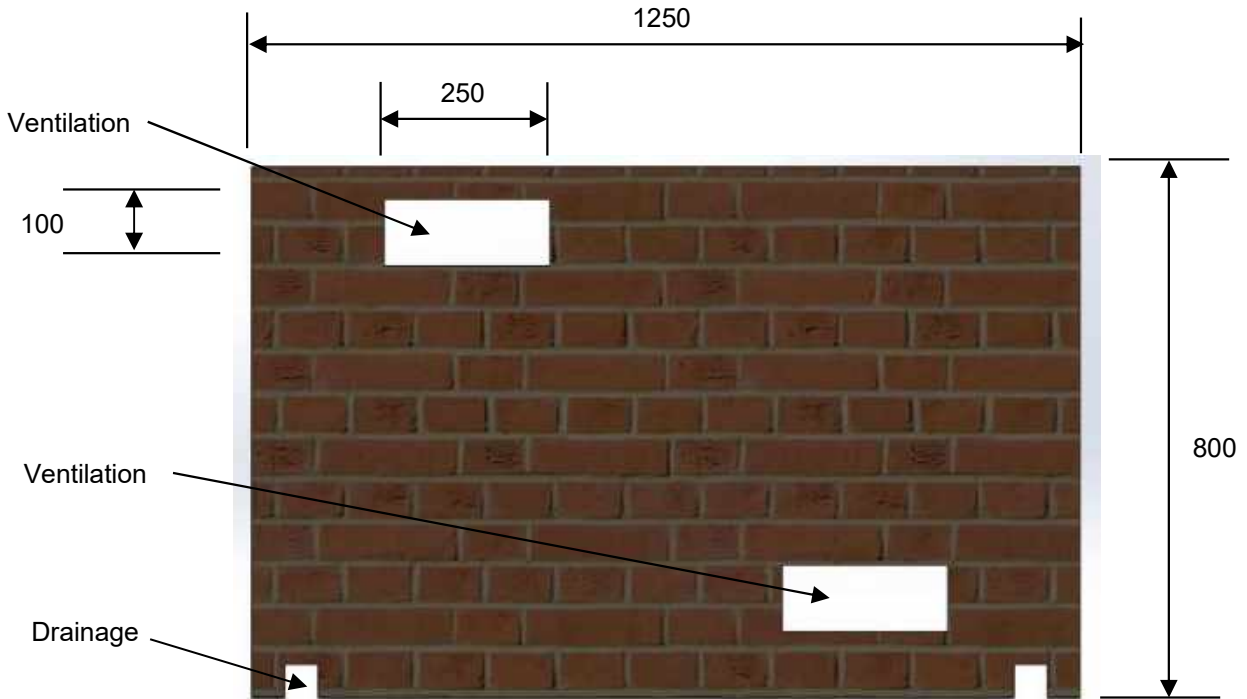
NOTE:

- DRAINAGE AND THROUGH VENTILATION IS NECESSARY TO THE CONSTRUCTION / HOUSING OF THE RECTANGLE BURNER.
- A MASONRY STRUCTURE WILL REQUIRE A VAPOUR BARRIER TO PREVENT RISING DAMP.
- THE MINIMUM VENTILATION HOLES NEEDS TO BE 2.5% OPEN AREA PER HOLE OF THE 2 LARGEST SIDES. SEPARATE DRAINAGE HOLES AT ALL CORNERS ARE ALSO NECESSARY TO AVOID MOISTURE RETENTION. BASE FLOOR MUST NOT BE ABLE TO HOLD MOISTURE. Eg. 2x1 m² SIDES TO EACH HAVE 25000 mm² OPEN VENTILATION TOP AND ALSO BOTTOM. THIS MUST BE PROPORTIONATELY ADJUSTED TO THE STRUCTURE SIZE

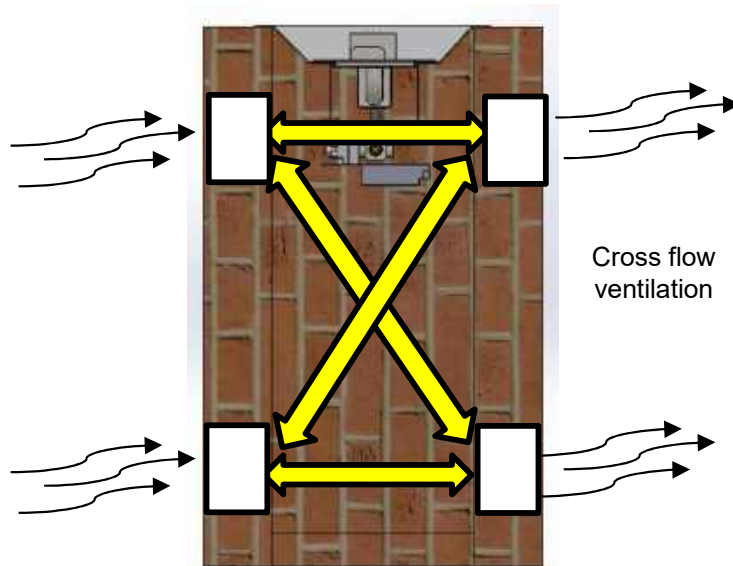


INSTALLATION INSTRUCTIONS FOR PATIO HORIZON GAS FIREPLACE RANGE

VENTILATION



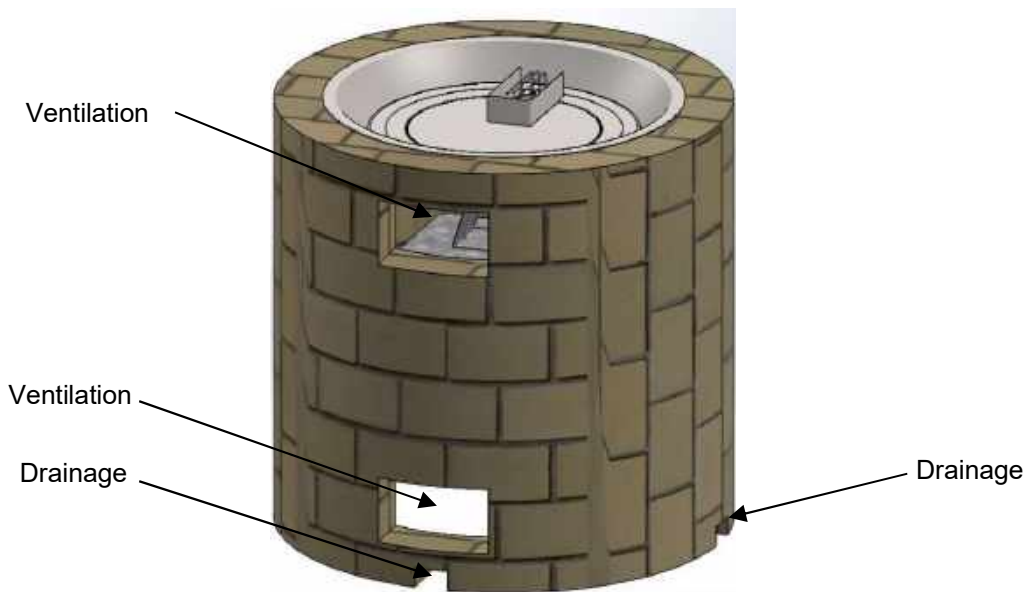
NOTE: The example cut outs shown is the minimum requirement according to the height and width of the panel
25000 mm² hole can be eg. 100x250 / 70x357 / 25x1000mm
Ensure the floor material does not retain moisture.





INSTALLATION INSTRUCTIONS FOR PATIO HORIZON GAS FIREPLACE RANGE

VENTILATION



The housing for the burner must be placed on a surface that is sealed and is not prone to moisture retention.

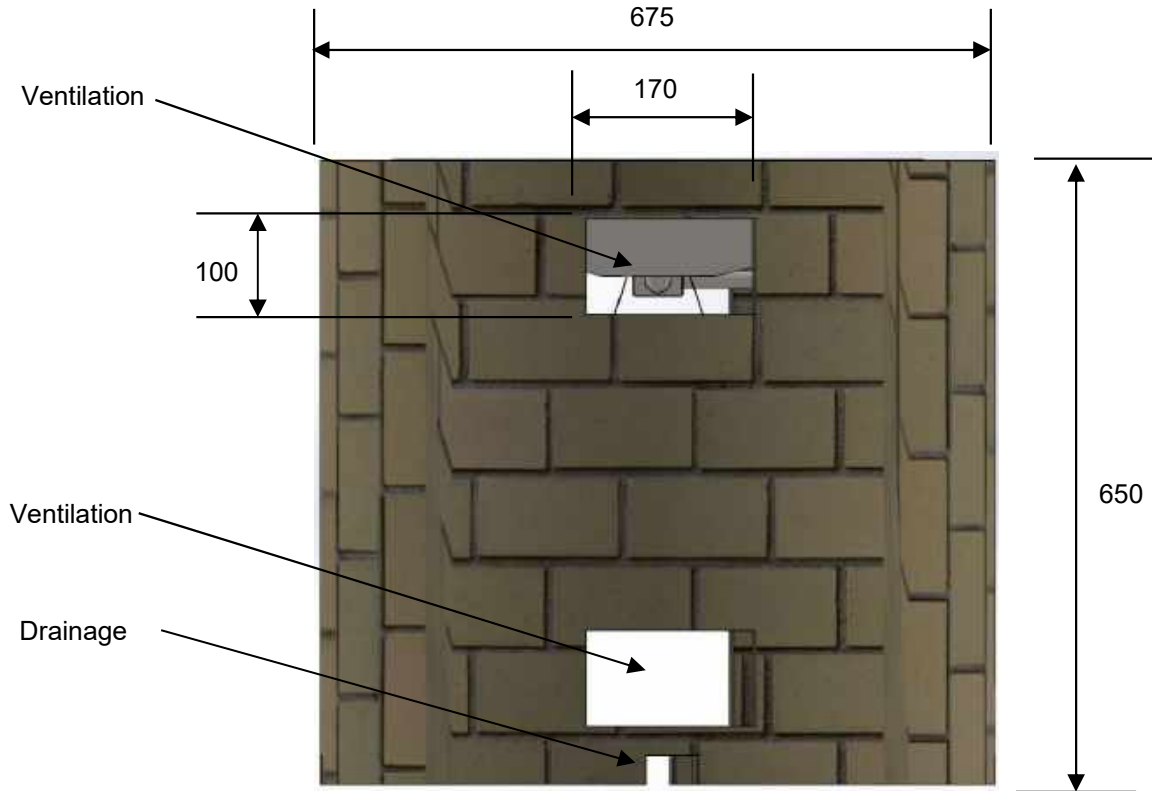
NOTE: The example cut outs shown on this face also needs to be shown on the adjacent face.

- NOTE:**
- DRAINAGE AND THROUGH VENTILATION IS NECESSARY TO THE CONSTRUCTION / HOUSING OF THE ROUND BURNER.
 - A MASONRY STRUCTURE WILL REQUIRE A VAPOUR BARRIER TO PREVENT RISING DAMP.
 - THE MINIMUM VENTILATION HOLES NEEDS TO BE 2.5% OPEN AREA PER HOLE ON BOTH SIDES. FOUR SEPARATE DRAINAGE HOLES ARE ALSO NECESSARY TO AVOID MOISTURE RETENTION. BASE FLOOR MUST NOT BE ABLE TO HOLD MOISTURE.

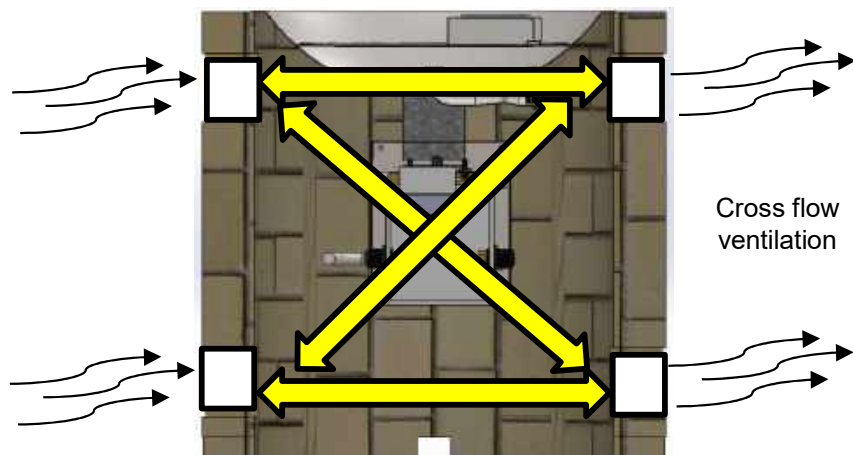


INSTALLATION INSTRUCTIONS FOR PATIO HORIZON GAS FIREPLACE RANGE

VENTILATION



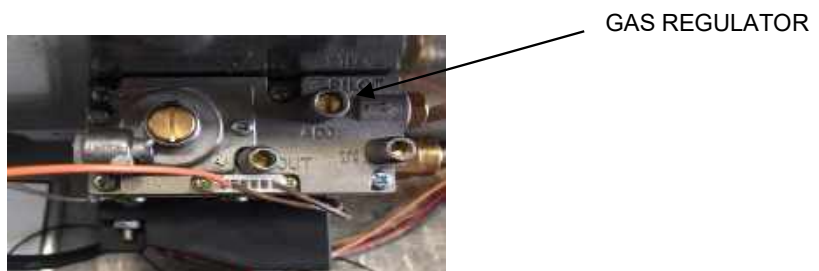
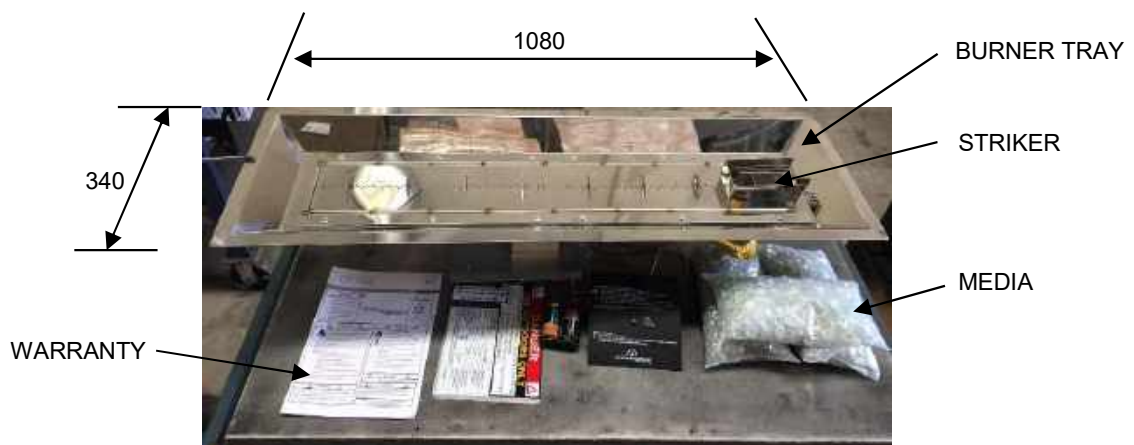
NOTE: The example cut outs shown is the minimum requirement according to the height and area of half of the stand diameter.
17000 mm² (based on 2.5% half of diameter face of stand) eg. 170x100 / 340x50mm
Ensure that the floor material that does not retain moisture.





INSTALLATION INSTRUCTIONS FOR PATIO HORIZON GAS FIREPLACE RANGE

BURNER





INSTALLATION INSTRUCTIONS FOR PATIO HORIZON GAS FIREPLACE RANGE

AC ADAPTOR RETRO FIT

1. Remove burner tray from outdoor patio fire, by lifting it up and out through the front of unit.
2. Turn burner tray upside down until the module is visible.

NOTE: The transformer power supply and battery pack must be boxed or covered and protected from moisture. This must be done prior to completion of installation and use.

The AC adaptor or the battery pack can be used interchangeably by using the same connections to the module.



3. **Ensure that the AC adaptor is covered from above and no water can flow to it.**
Use of covered IP66 or equivalent rated socket power point recommended.
The AC adaptor supplied must be set to 3V.



INSTALLATION INSTRUCTIONS FOR PATIO HORIZON GAS FIREPLACE RANGE

AC ADAPTOR RETRO FIT

4. When using 240V and the transformer (WHICH IS THE PREFERRED OPTION) you need to make sure the transformer plug is situated in a completely dry location, best practice is to plug it inside or in a completely covered outdoor area. The low voltage transformer wire can then be easily extended to the Burner location and with new spade connectors plugged into the module wires that would have supported the batter pack ignition.

Low voltage 1.3mm² wire can be extended up to 20-25m – to be supplied by installer.

White (positive) tracer from adaptor to extension wire
To be connect to the red positive module connection

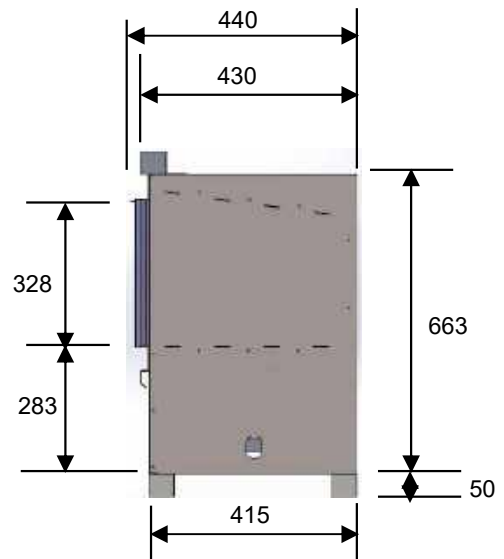
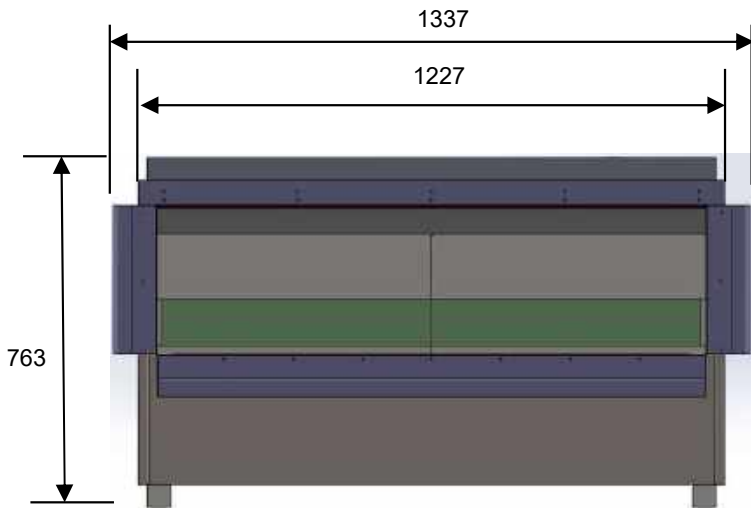
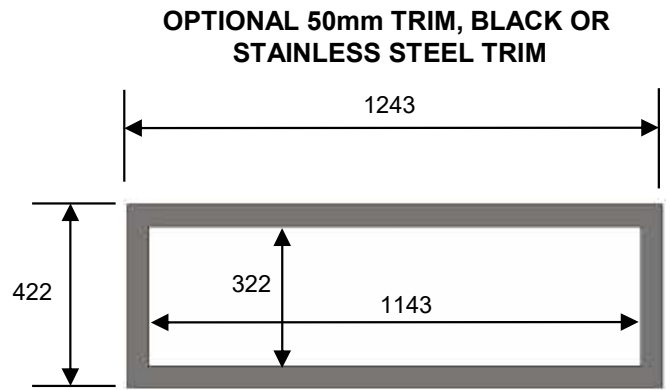
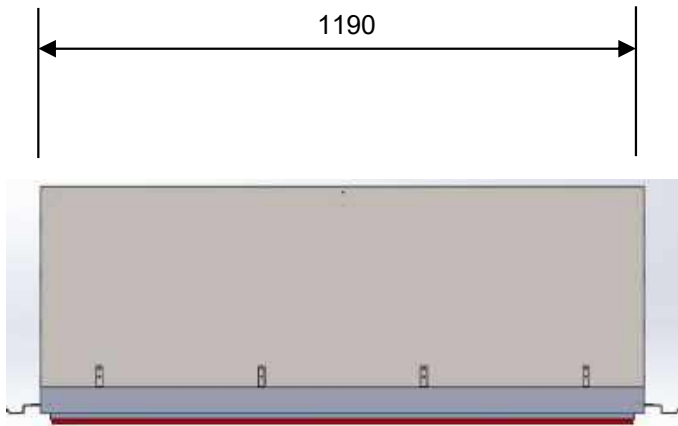


- *Adaptor wire can be extended with 1.3mm low voltage garden wire.
- *Adaptor cord can join extension wire with heat shrink splicer
- *Spade ends can be joined to extension wire to plug into module battery cables
- *When using extension cable make sure the tracer (white wire) is connected to module tracer wire, so polarity is correct
- *Incorrect polarity will cause adaptor and module problems.



INSTALLATION INSTRUCTIONS FOR PATIO HORIZON GAS FIREPLACE RANGE

PATIO HORIZON PANORAMIC DIMENSIONS

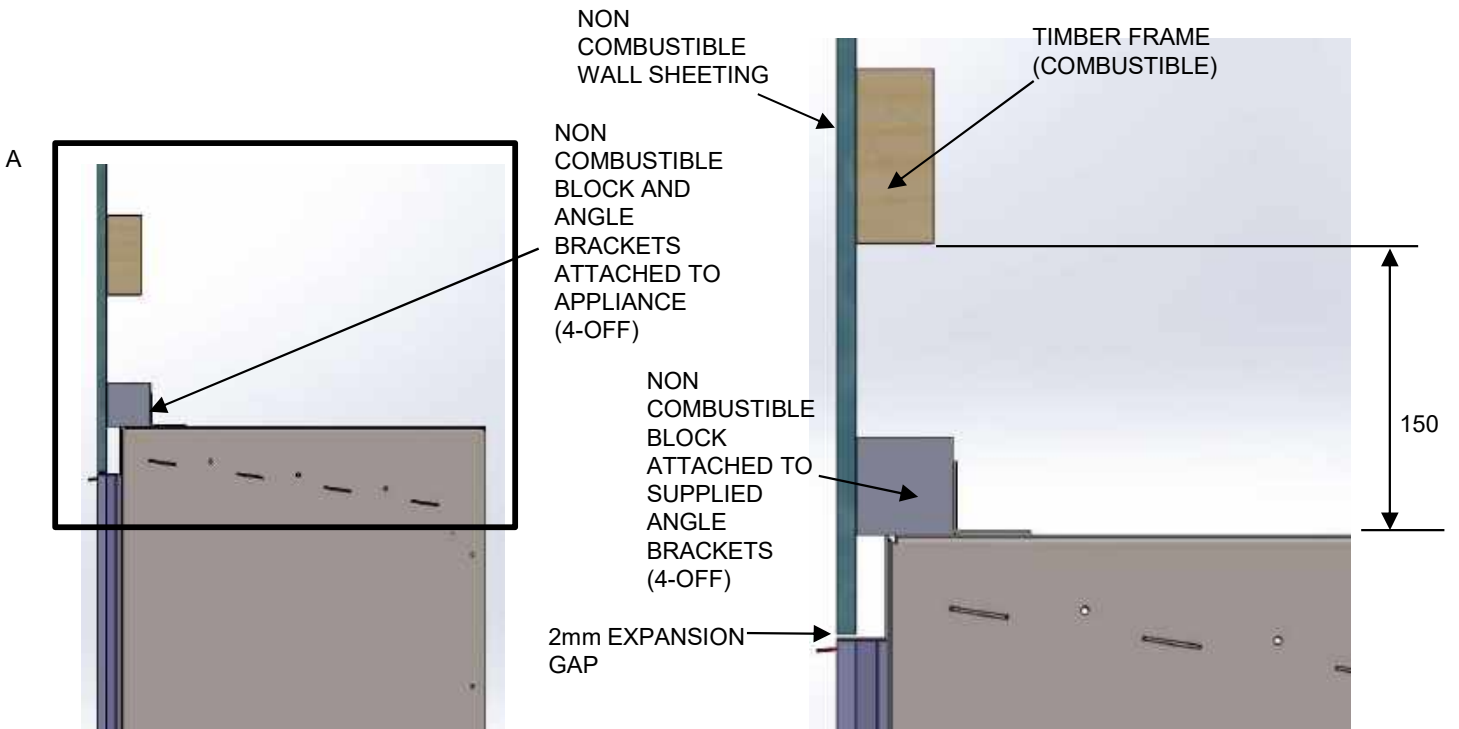


**Minimum 50mm blocks to be installed by builder
If unit is to be built in a restricted air flow cavity**

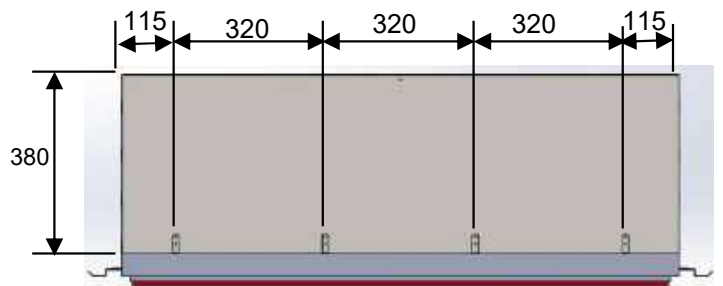


INSTALLATION INSTRUCTIONS FOR PATIO HORIZON GAS FIREPLACE RANGE

PATIO HORIZON PANORAMIC SHEETING DETAIL



DETAIL A



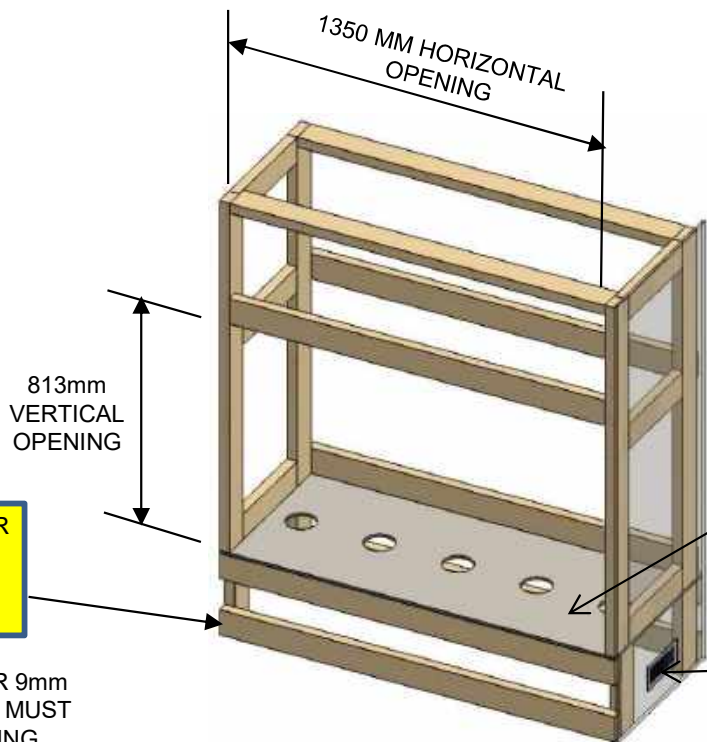
NON COMBUSTIBLE BLOCK AND ANGLE BRACKET POSITIONS

- NON COMBUSTIBLE BLOCK ATTACHMENT KIT:**
- 1- OFF 50x50mm SQUARE BLOCK
 - 1- OFF ANGLE BRACKET PACK
 - 8- OFF TEK SCREWS



INSTALLATION INSTRUCTIONS FOR PATIO HORIZON GAS FIREPLACE RANGE

TIMBER FRAMING INFORMATION



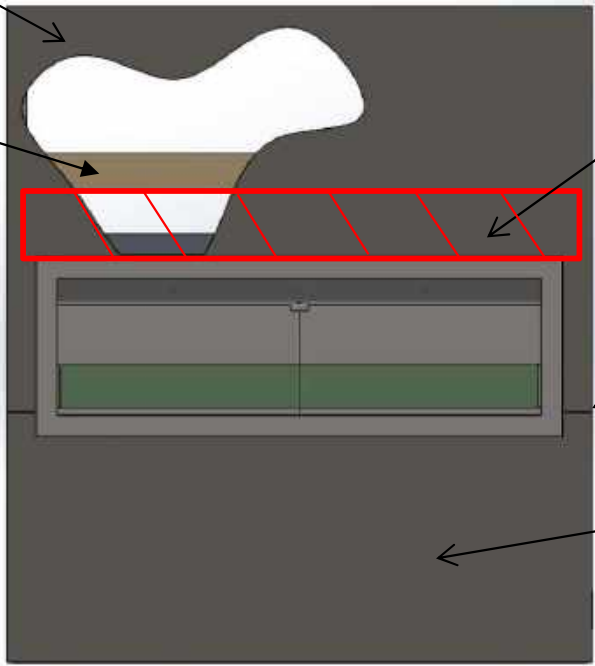
ALLOW FOR DRAINAGE AT FOUR CORNERS

8mm BLUE BOARD OR 9mm FIBRE CEMENT SHEETING CAN BE USED, BUT MUST HAVE VENTILATION HOLES IN FLOOR UNDER APPLIANCE (min. 5 x 100mm DIAMETER)

MIN. 8mm BLUE BOARD OR 9mm FIBRE CEMENT SHEETING MUST BE USED FOR WALL LINING. ONLY USE NON COMBUSTIBLE WALL LINERS ABOVE FIRE

VENT MINIMUM 240X90mm X2

LOWEST FIXING POINT 150mm ABOVE APPLIANCE
150mm NON COMBUSTIBLE ZONE TO TIMBER FRAME



WARNING: FIXING WALL LINING WITHIN THIS AREA WITH SCREWS OR NAILS COULD LEAD TO MATERIAL CRACKING. SIKAFLEX ONLY TO BE USED

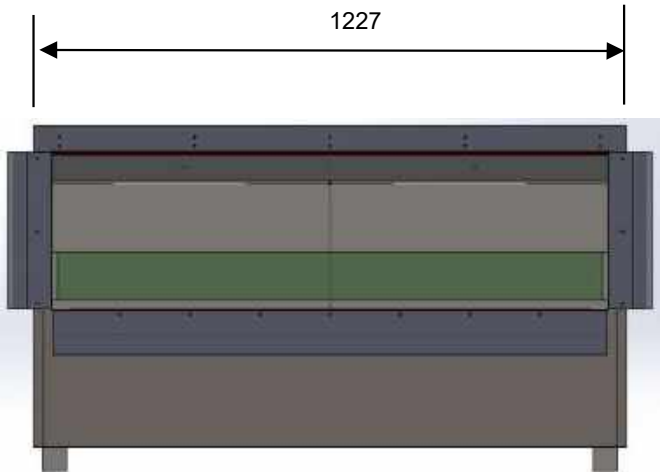
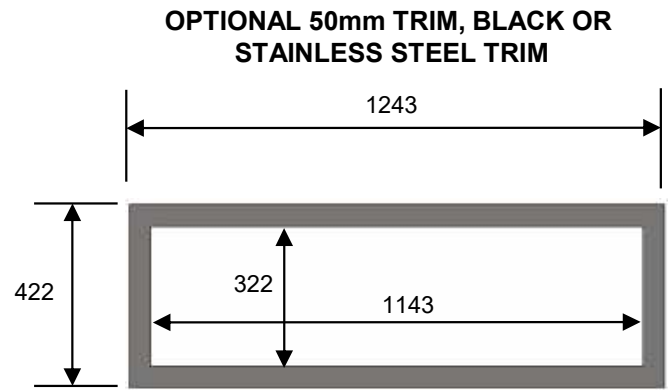
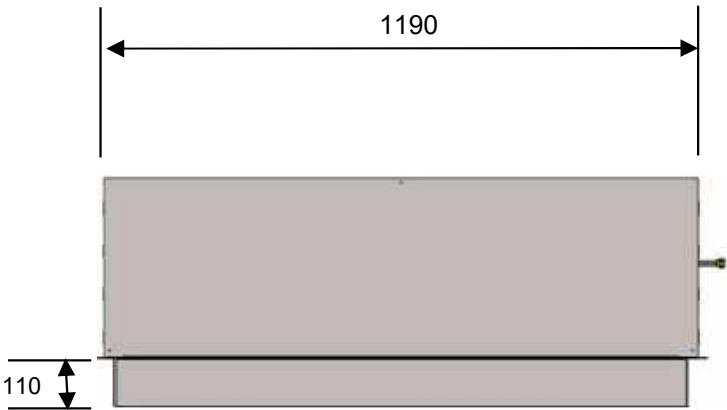
SHEETING JOINT TO BE NEAR BOTTOM OF UNIT WHERE IT WILL BE COOLER

MIN. 8mm BLUE BOARD OR 9mm FIBRE CEMENT SHEETING MUST BE USED FOR WALL LINING. ONLY USE NON COMBUSTIBLE WALL LINERS ABOVE FIRE

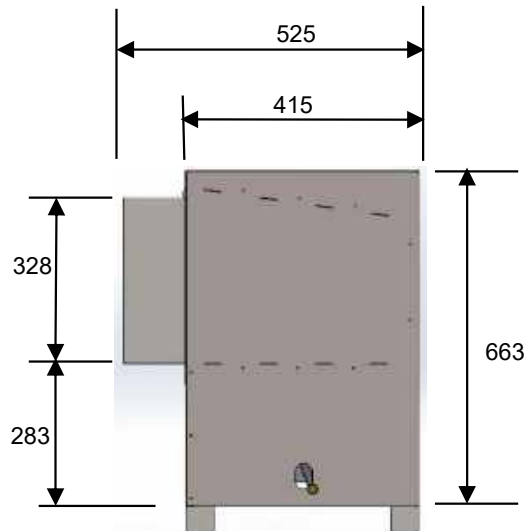


INSTALLATION INSTRUCTIONS FOR PATIO HORIZON GAS FIREPLACE RANGE

PATIO HORIZON PANORAMIC MASONRY DIMENSIONS



FASCIA OMITTED FROM VIEW

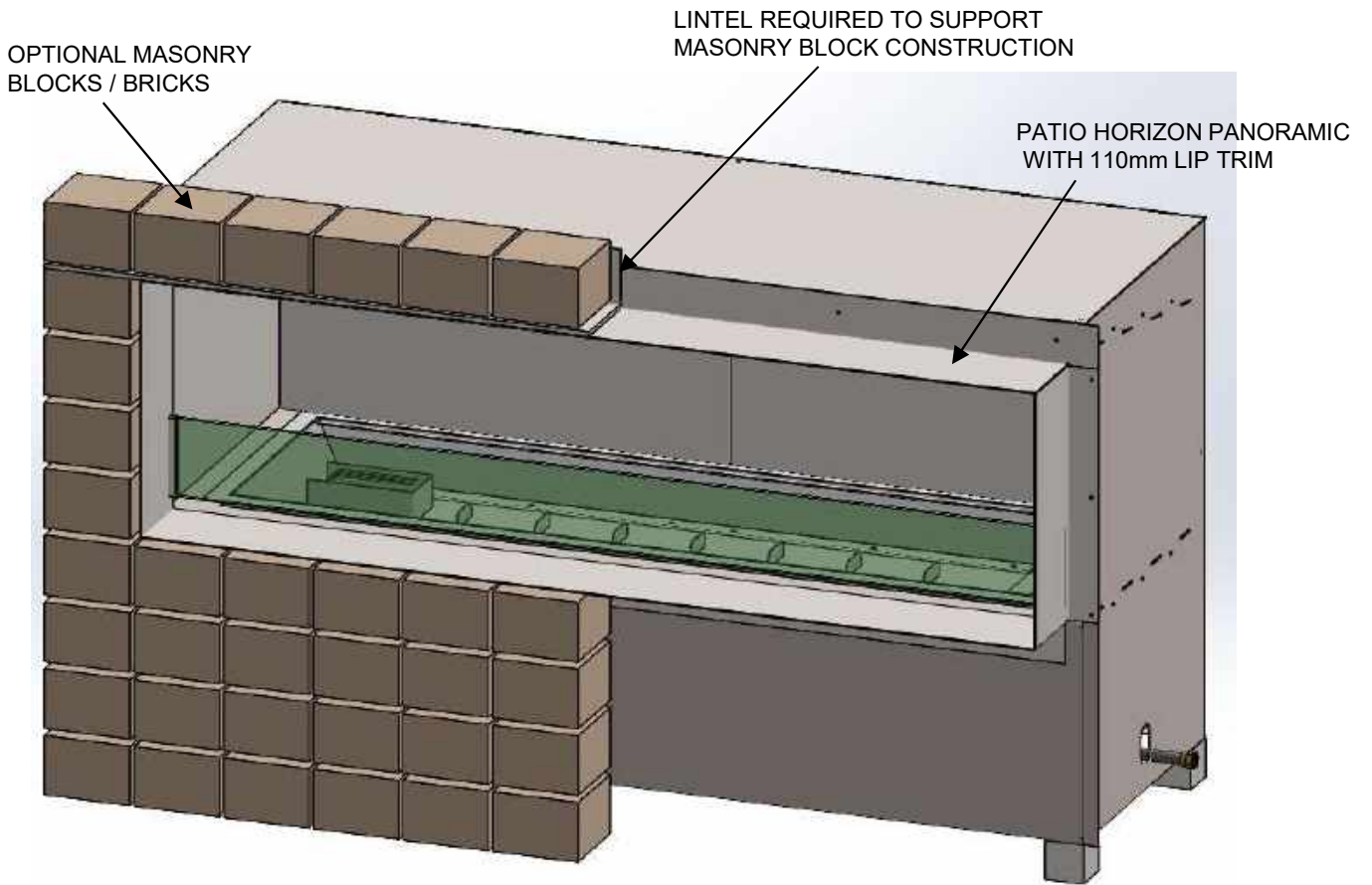


**Minimum 50mm blocks to be installed by builder
If unit is to be built in a restricted air flow cavity**



INSTALLATION INSTRUCTIONS FOR PATIO HORIZON GAS FIREPLACE RANGE

PATIO HORIZON PANORAMIC MASONRY TRIM OPTION



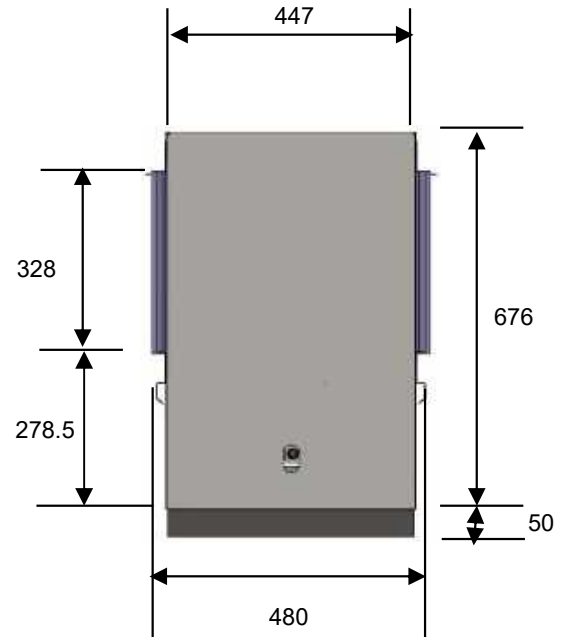
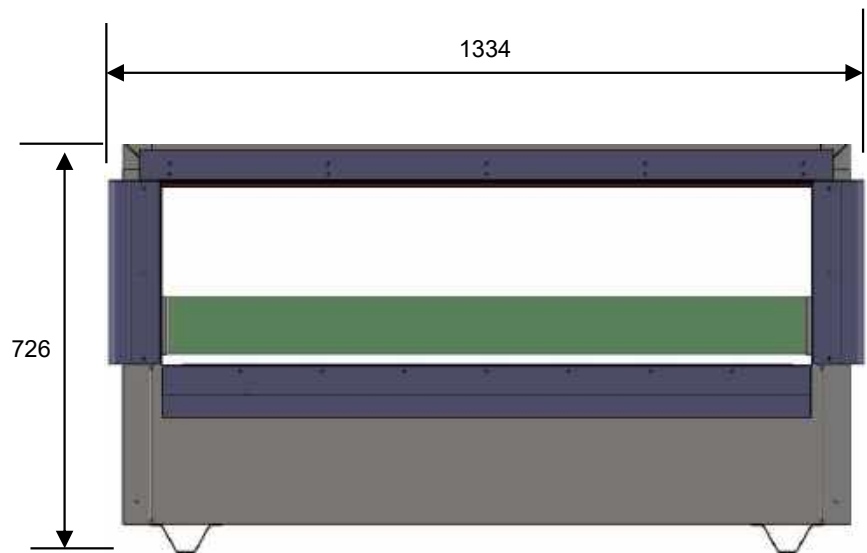
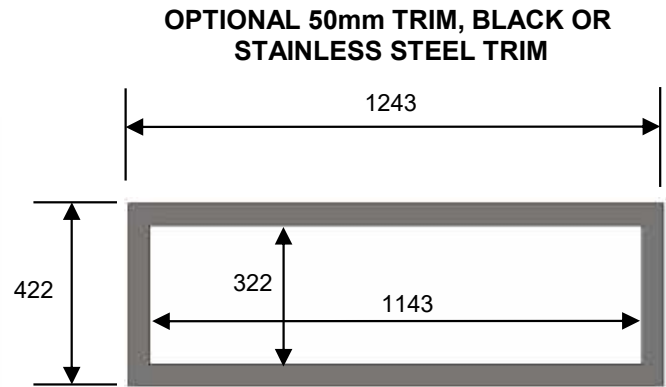
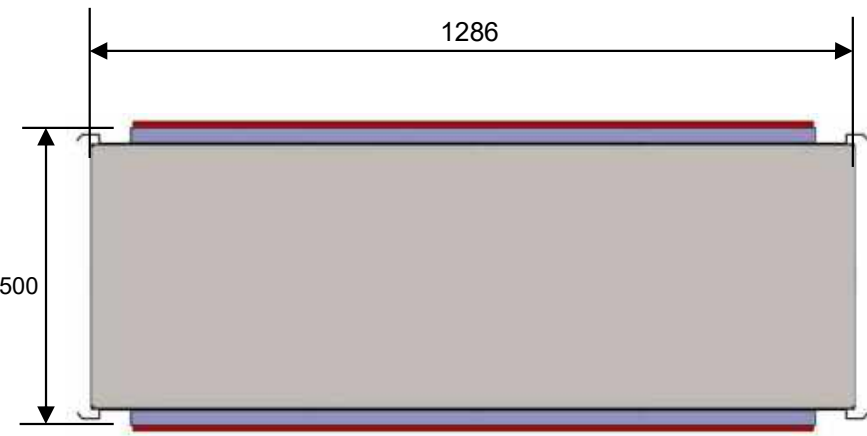
**Minimum 50mm blocks to be installed by builder
If unit is to be built in a restricted air flow cavity**

IMPORTANT: VENTILATION AND DRAINAGE HOLES MUST BE BUILT INTO MASONRY INSTALLATION



INSTALLATION INSTRUCTIONS FOR PATIO HORIZON GAS FIREPLACE RANGE

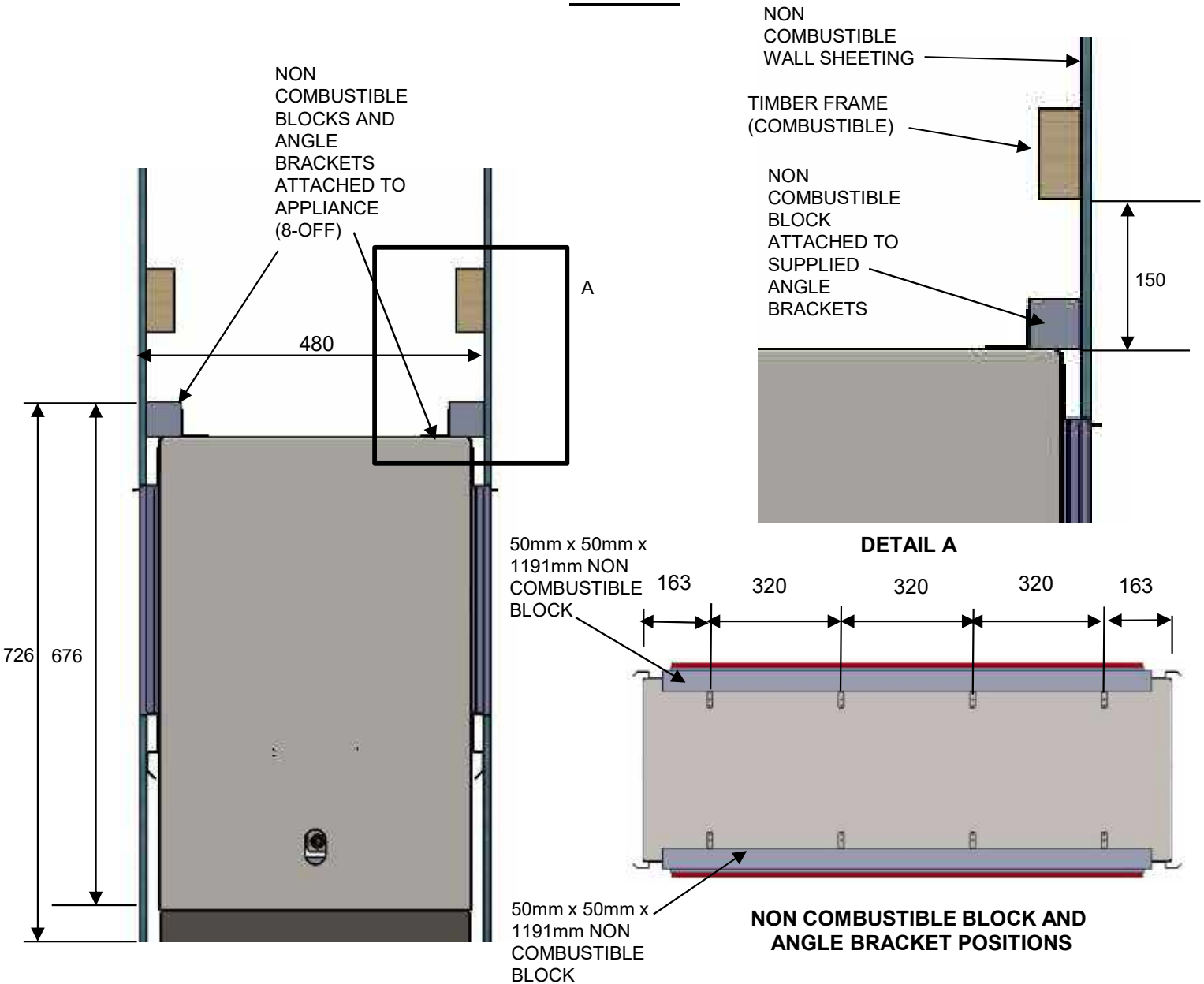
PATIO HORIZON DOUBLE SIDED
PANORAMIC DIMENSIONS





INSTALLATION INSTRUCTIONS FOR PATIO HORIZON GAS FIREPLACE RANGE

PATIO HORIZON DOUBLE SIDED PANORAMIC SHEETING
DETAIL

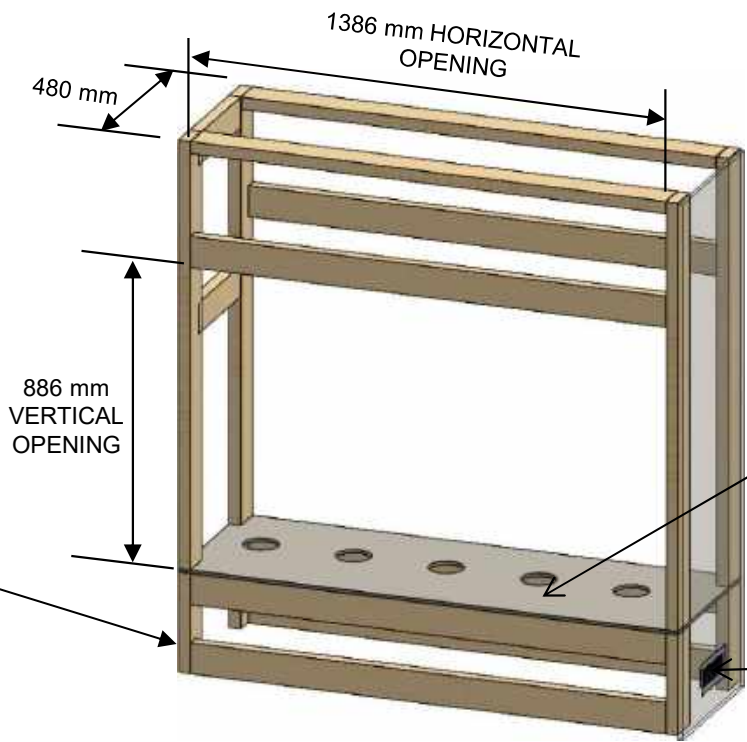


- NON COMBUSTIBLE BLOCK ATTACHMENT KIT:**
- 2 - OFF 50x50mm SQUARE BLOCK
 - 2 - OFF ANGLE BRACKET PACK
 - 16 - OFF TEK SCREWS



INSTALLATION INSTRUCTIONS FOR PATIO HORIZON GAS FIREPLACE RANGE

PATIO HORIZON DOUBLE SIDED PANORAMIC SHEETING
DETAIL



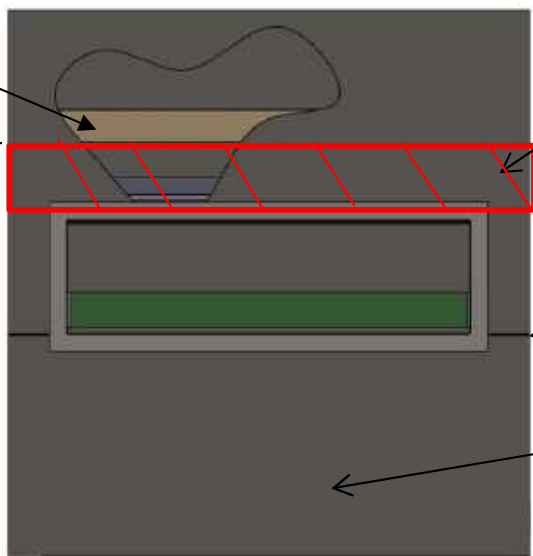
ALLOW FOR DRAINAGE AT FOUR CORNERS

8mm BLUE BOARD OR 9mm FIBRE CEMENT SHEETING CAN BE USED, BUT MUST HAVE VENTILATION HOLES IN FLOOR UNDER APPLIANCE (min. 5 x 100mm DIAMETER)

VENT MINIMUM 240X90mm X2

LOWEST FIXING POINT 150mm ABOVE APPLIANCE
150mm NON COMBUSTIBLE ZONE TO TIMBER FRAME

WARNING: FIXING WALL LINING WITHIN THIS AREA WITH SCREWS OR NAILS COULD LEAD TO MATERIAL CRACKING. SIKAFLEX ONLY TO BE USED



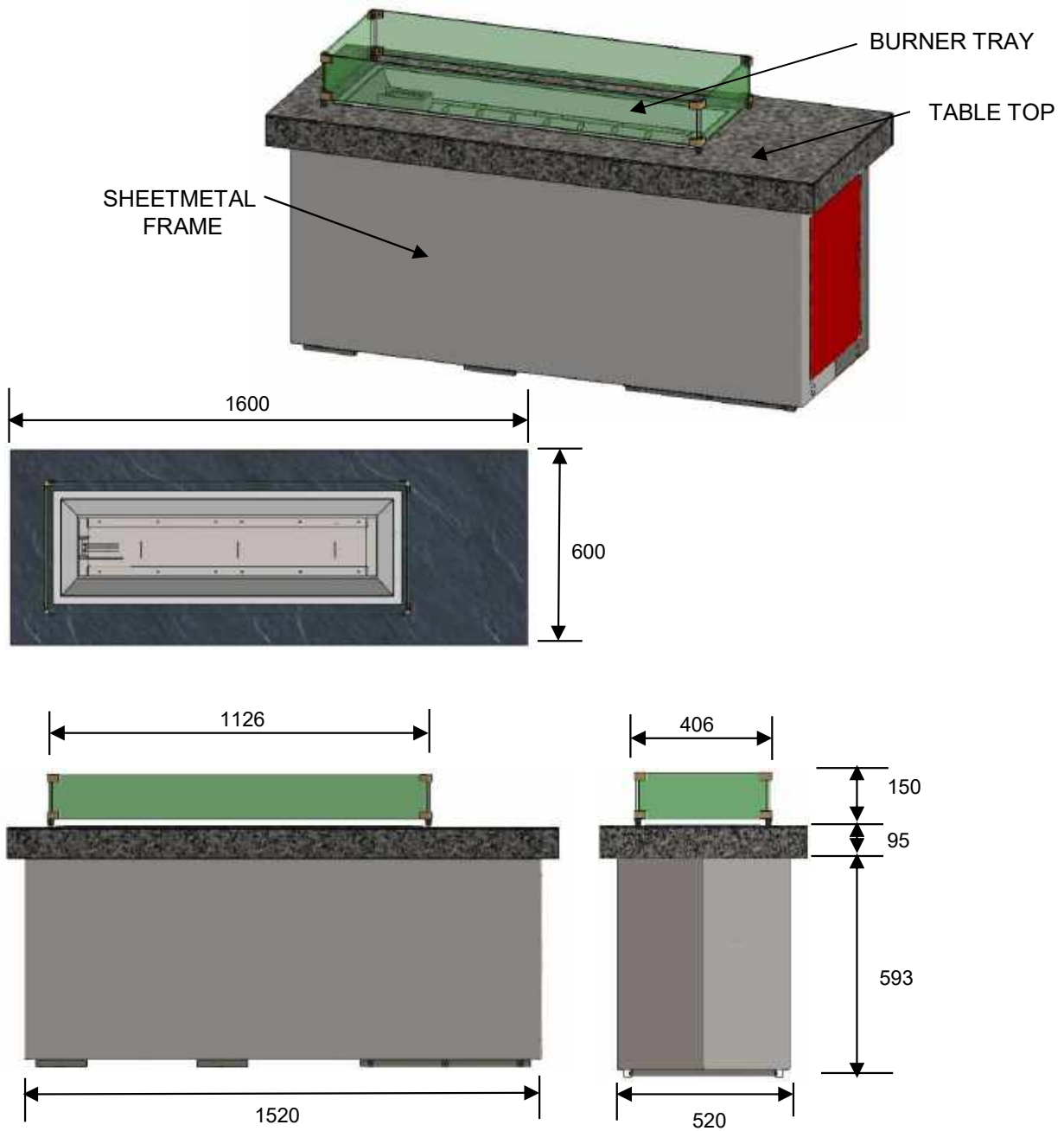
SHEETING JOINT TO BE NEAR BOTTOM OF UNIT WHERE IT WILL BE COOLER

MIN. 8mm BLUE BOARD OR 9mm FIBRE CEMENT SHEETING MUST BE USED FOR WALL LINING. ONLY USE NON COMBUSTIBLE WALL LINERS ABOVE FIRE



INSTALLATION INSTRUCTIONS FOR PATIO HORIZON GAS FIREPLACE RANGE

PATIO HORIZON ISLAND DIMENSIONS

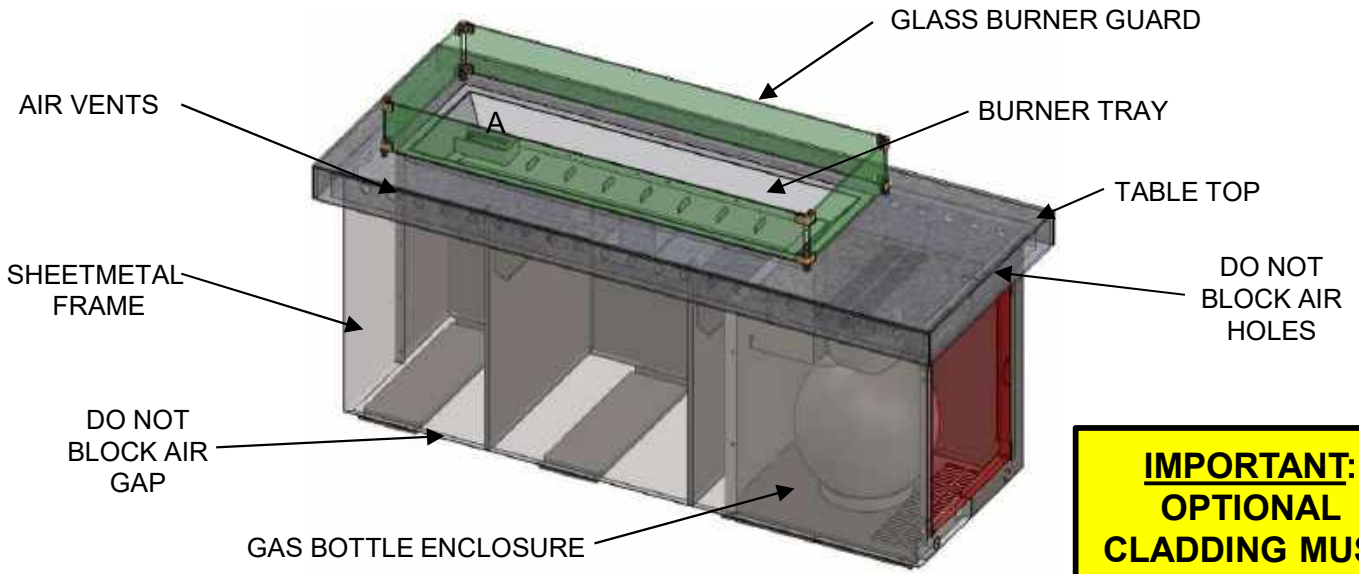


	A	B	C	D	E	F	G	H
MEASUREMENT	1600	1520	600	520	95	593	-	-

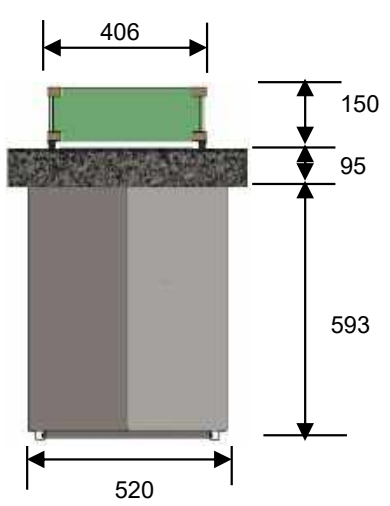
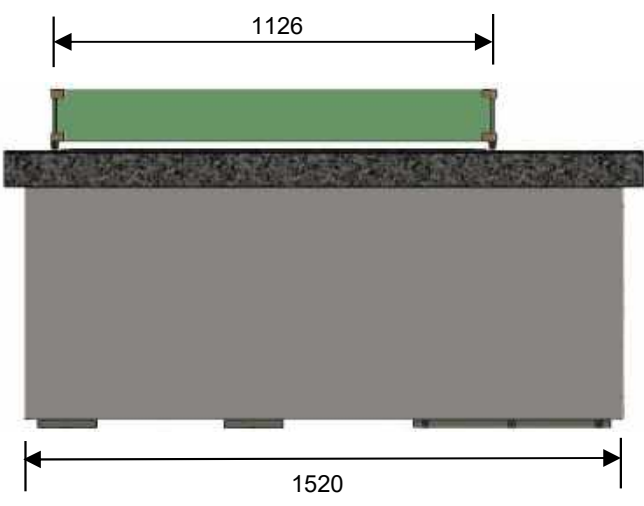
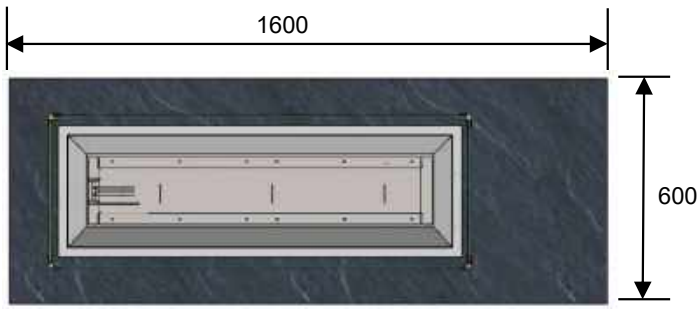


INSTALLATION INSTRUCTIONS FOR PATIO HORIZON GAS FIREPLACE RANGE

PATIO HORIZON ISLAND DIMENSIONS



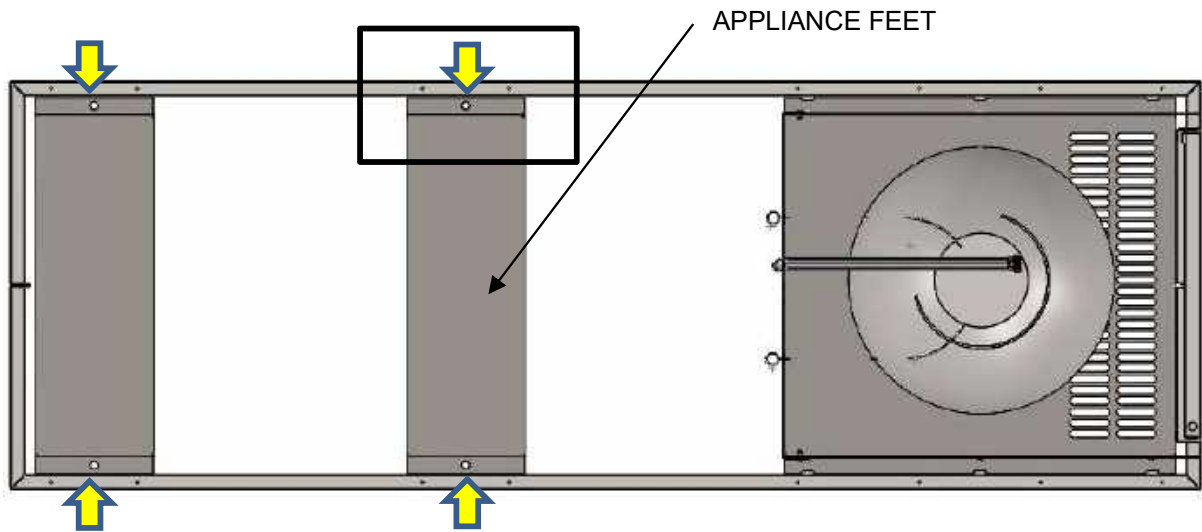
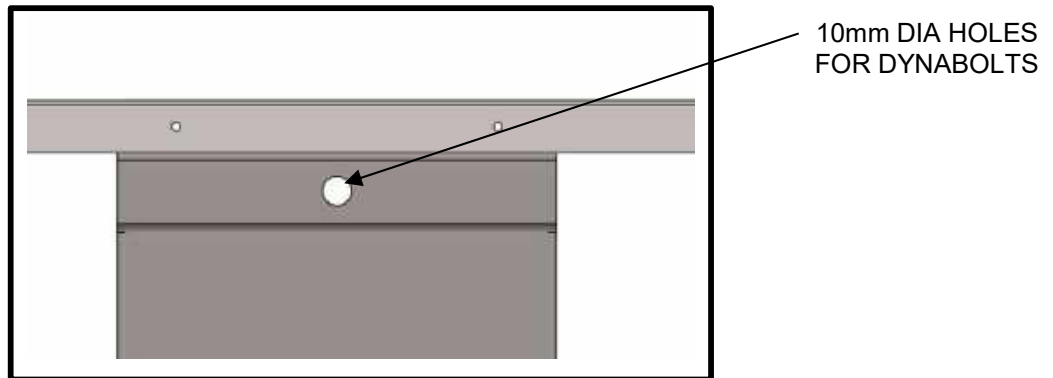
**IMPORTANT:
OPTIONAL
CLADDING MUST
NOT RESTRICT AIR
FLOW**





INSTALLATION INSTRUCTIONS FOR PATIO HORIZON GAS FIREPLACE RANGE

STABILITY:
FIX THE UNIT TO THE GROUND AS REQUIRED



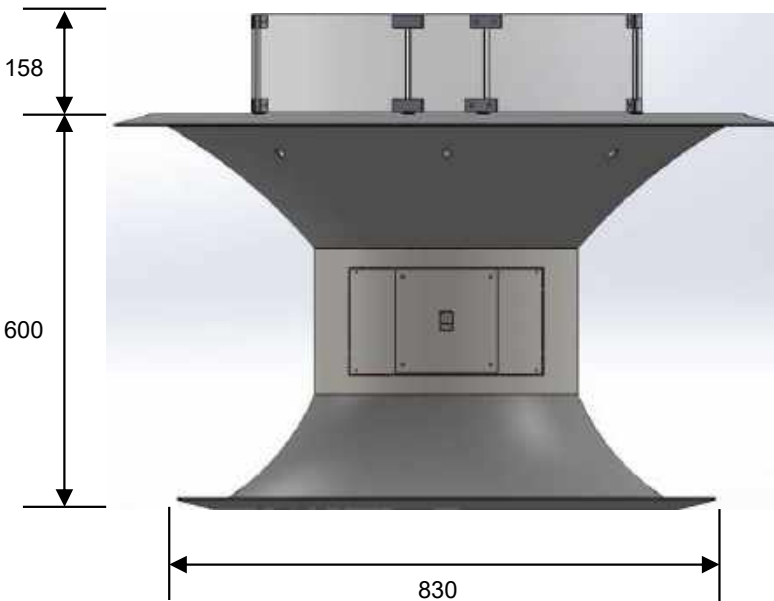
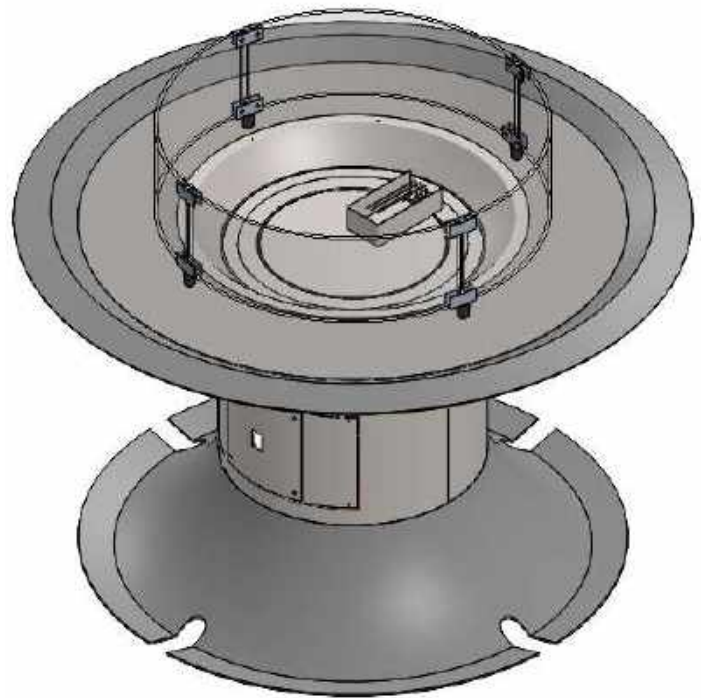
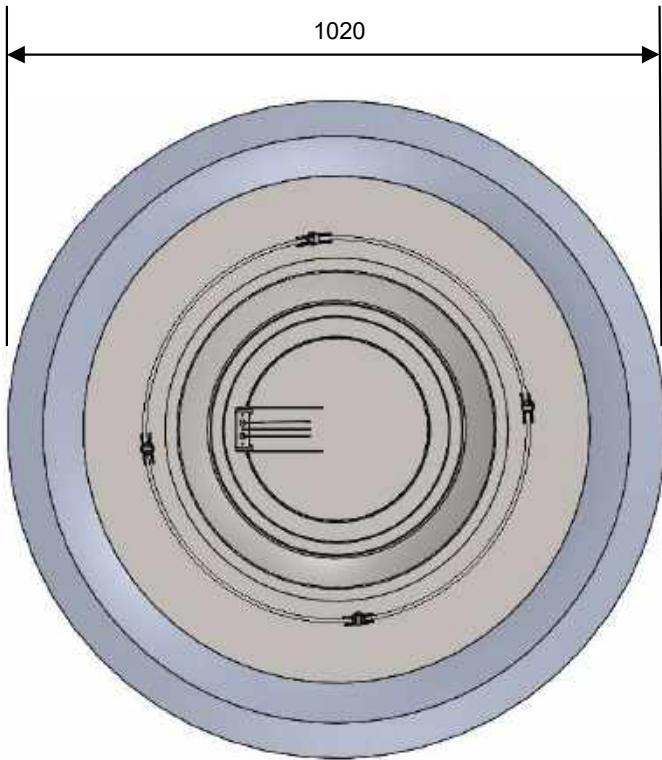
NOTE:

- POSITION THE UNIT IN THE REQUIRED AREA.
- REMOVE THE TABLE TOP TO EXPOSE THE FEET OF THE APPLIANCE. LOCATE HOLES AS SHOWN.
- USE THE EXISTING HOLES AND DRILL WITH CONCRETE DRILL BITS TO THE REQUIRED DEPTH. REPEAT PROCESS AS REQUIRED.
- PUSH CORRESPONDING DYNABOLTS INTO THE DRILLED HOLE/S AND TIGHTEN.
- THE UNIT SHOULD NOW BE STABILISED AND WILL NOT TILT ON A SIDE TO SIDE MOTION.



INSTALLATION INSTRUCTIONS FOR PATIO HORIZON GAS FIREPLACE RANGE

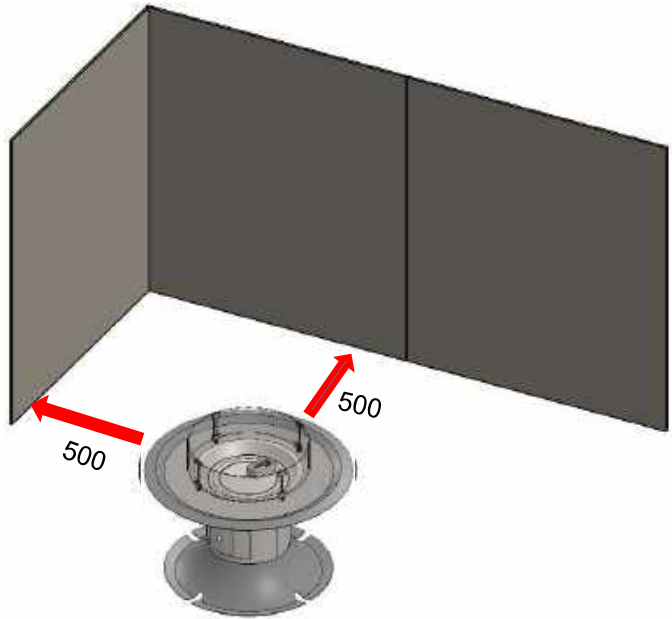
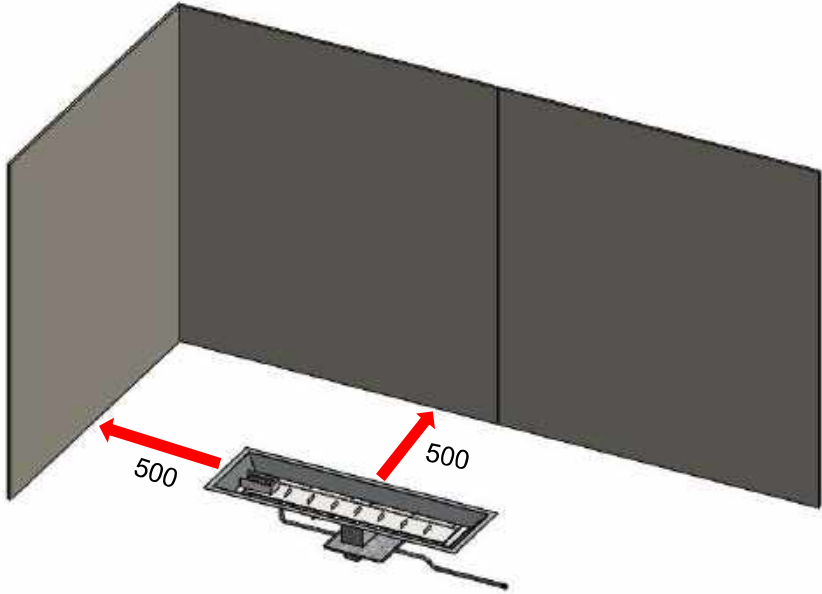
PATIO HORIZON ONYX DIMENSIONS





INSTALLATION INSTRUCTIONS FOR PATIO HORIZON GAS FIREPLACE RANGE

CLEARANCES:
TO THE NEAREST COMBUSTIBLES





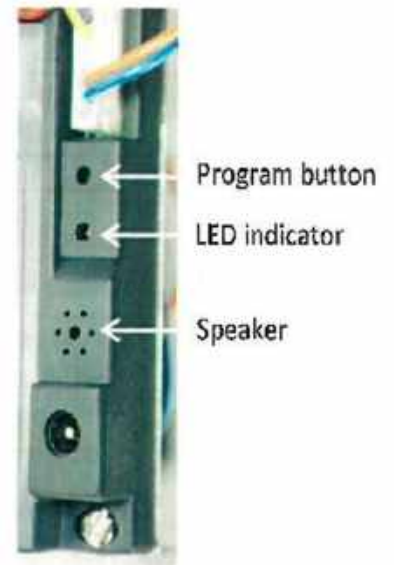
INSTALLATION INSTRUCTIONS FOR PATIO HORIZON GAS FIREPLACE RANGE

PATIO HORIZON REMOTE CONTROL PROGRAMMING

Programming a Remote:

An optional remote burner controller can be purchased for this product. This remote uses one A23 battery (Not Included)

1. Begin with the CF-DSI control switch in the **Remote Operation** position.
2. To program your remote, locate the program button on the *Control Module* (shown at right) and press it with a paper clip or similar small object. A single beep should be heard.
3. Press and hold the **SET** button on your remote until a series of beeps are heard from the *Control Module*. The remote is now paired with your burner.



Note - Leaving the switch on the remote function permanently will drain the batteries

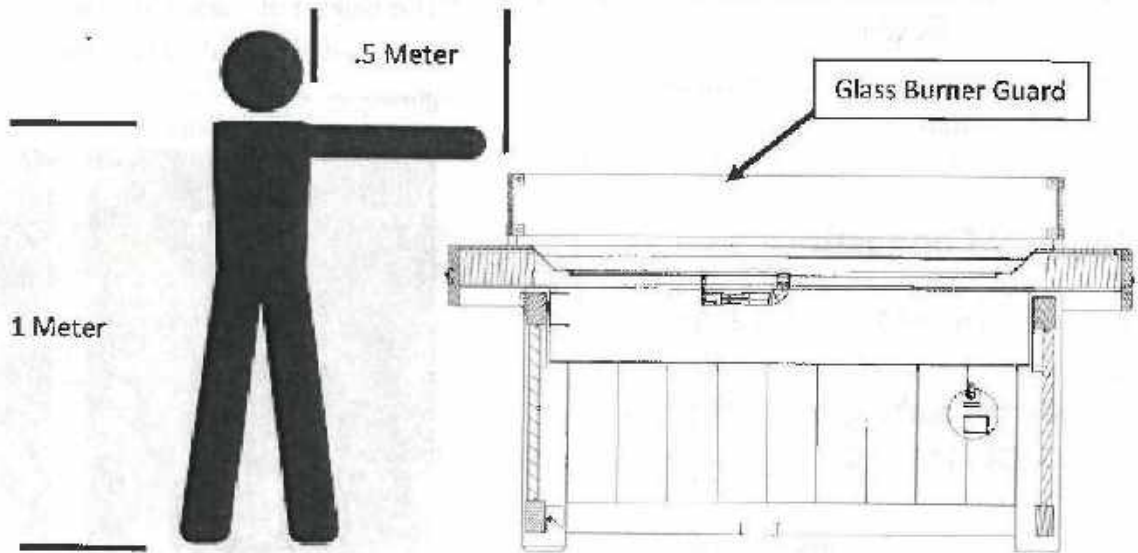


INSTALLATION INSTRUCTIONS FOR PATIO HORIZON GAS FIREPLACE RANGE

FIELD CONSTRUCTED FIRE TABLES

Touchability of flames- Per IEC Guide 117, children of up to 6 years old.

Table dimensions must meet the following requirements and be fixed to the ground.



Burner Guard must be permanently attached based on table height. You may need to use a 150mm or 300mm guard to meet the requirements of IEC Guide 117.

- PT# GG-1242-150AU – 1133 x 394 x 150mm tall Glass Guard



INSTALLATION INSTRUCTIONS FOR PATIO HORIZON GAS FIREPLACE RANGE

LOCATION REQUIREMENTS

Appendix E

FIGURE E2 - OUTDOOR AREA - EXAMPLE 2

DIAGRAMMATICAL REPRESENTATIONS OF OUT DOOR AREAS - INFORMATIVE

The following figures are diagrammatical representations of outdoor areas as described in the definition Clause 1.2.49. Rectangular areas have been used in these figures - the same principles apply to any other shaped area.

FIGURE E1 - OUTDOOR AREA – EXAMPLE 1

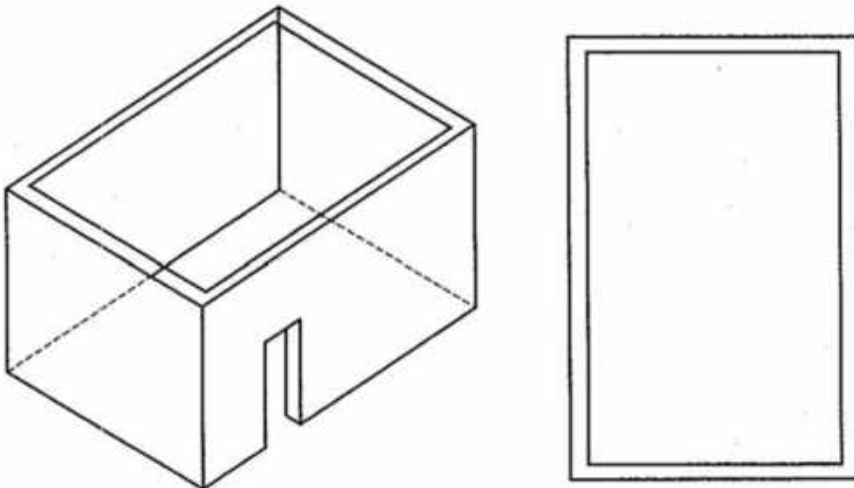
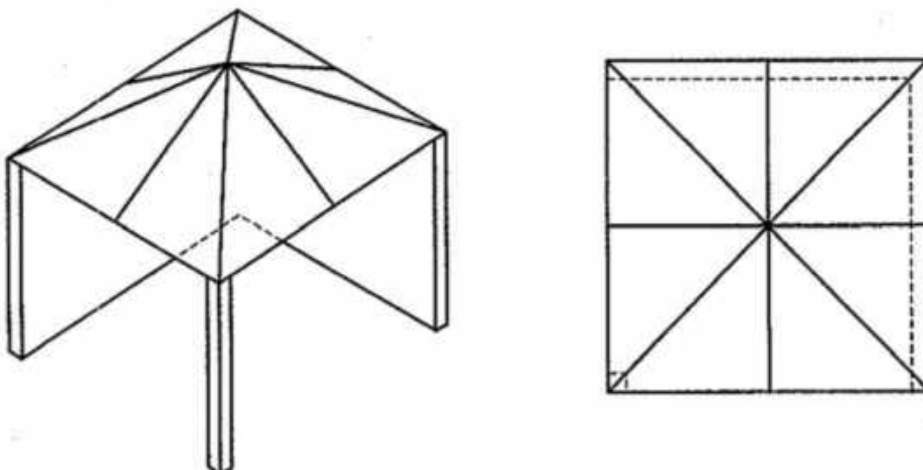


FIGURE E2 - OUTDOOR AREA - EXAMPLE 2





INSTALLATION INSTRUCTIONS FOR PATIO HORIZON GAS FIREPLACE RANGE

FIGURE E3 - OUTDOOR AREA - EXAMPLE 3

Appendix E CONTINUED

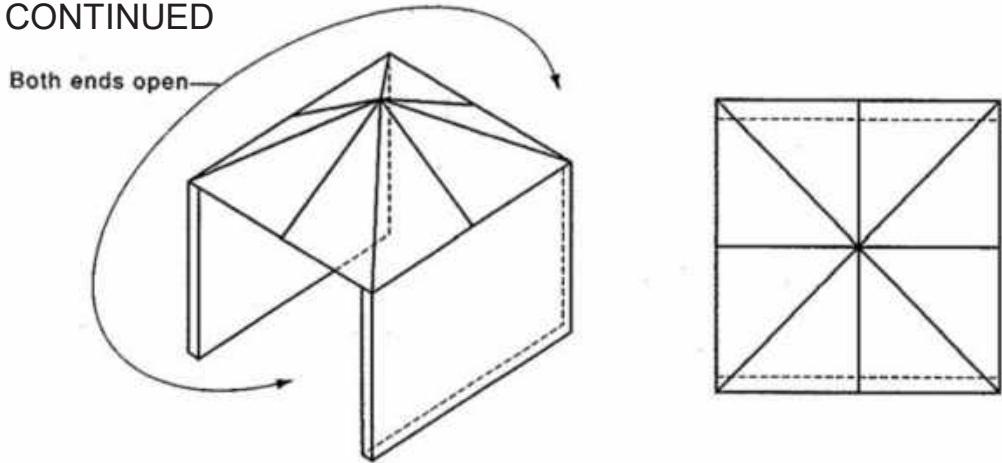


FIGURE E4 - OUTDOOR AREA - EXAMPLE 4

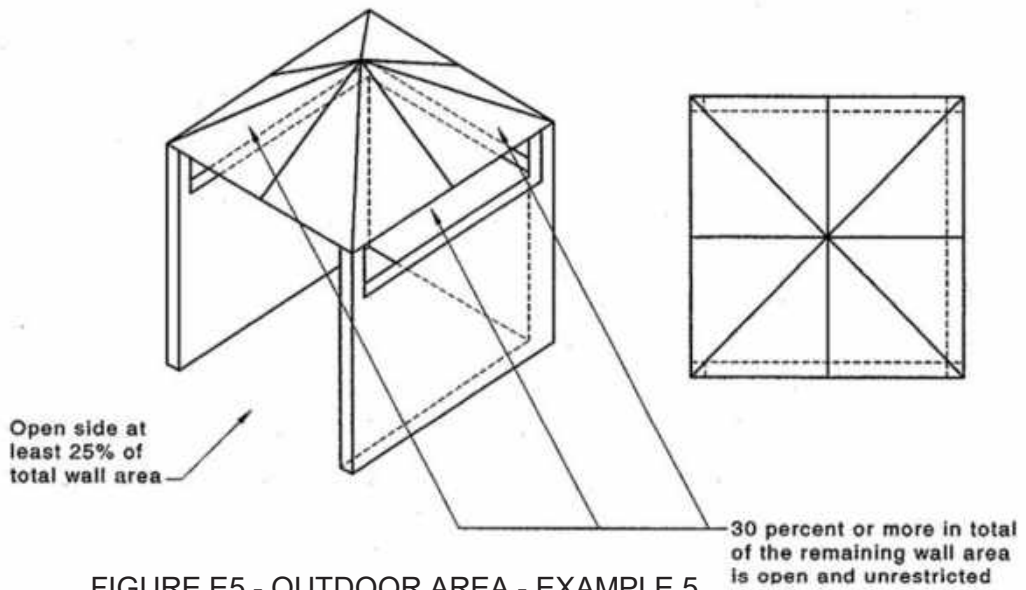
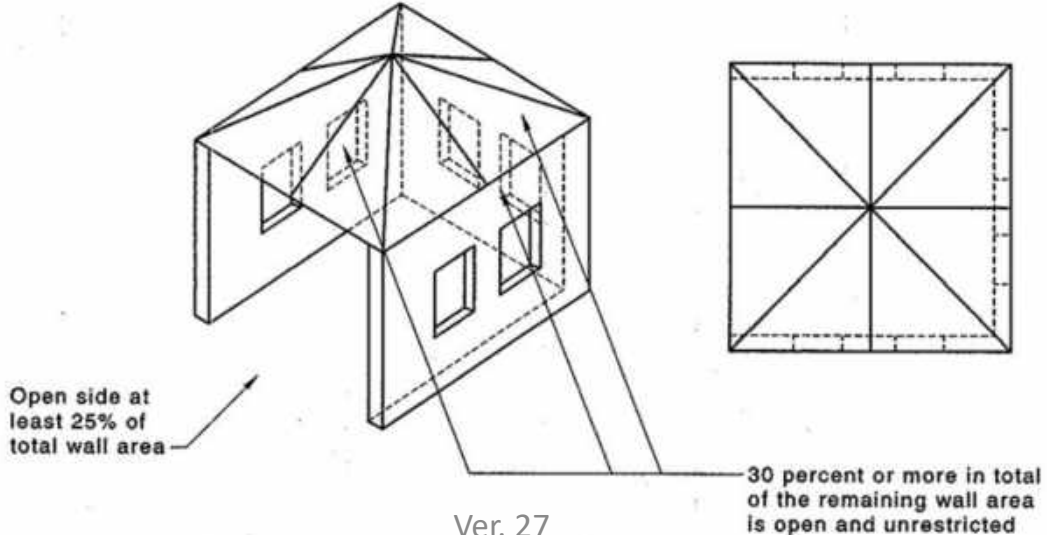


FIGURE E5 - OUTDOOR AREA - EXAMPLE 5





INSTALLATION INSTRUCTIONS FOR PATIO HORIZON GAS FIREPLACE RANGE

WARRANTY FOR ALL PATIO HORIZON MODELS

- 1. Provided the appliance has been correctly installed according to instructions, Kemlan guarantee the cost of replacing parts and the labour in connection therewith for a period of 12 months from the date of installation.

- 2. **THIS WARRANTY DOES NOT COVER –**
 - 2.1 Failure to comply with manufacturer’s operation instructions.
 - 2.2 Normal wear and tear or damage caused by incorrect installation.
 - 2.3 Any form of rust and/or corrosion to the painted finish of the heater.
 - 2.4 Damage caused by water ingress.
 - 2.5 Cost of removal of defective heater or re-installation of replacement heater.
 - 2.6 Failure to use fireplace components supplied by Kemlan Industries Pty Ltd.
 - 2.7 Cost of inspection for damaged heater.

- 3. **CLAIMS –**
 - 3.1 Should any defects occur, contact the Kemlan distributor from whom you purchased the heater.
 - 3.2 Under this warranty the defective parts will be repaired or replaced by Kemlan’s option, free of charge.

- 4. The fireplace installation must comply with the relevant local statutes, ordinances, regulations and by-laws.

PLEASE COMPLETE AND RETAIN THIS SECTION FOR YOUR RECORDS

Purchased from:
Address:
Date of Purchase: