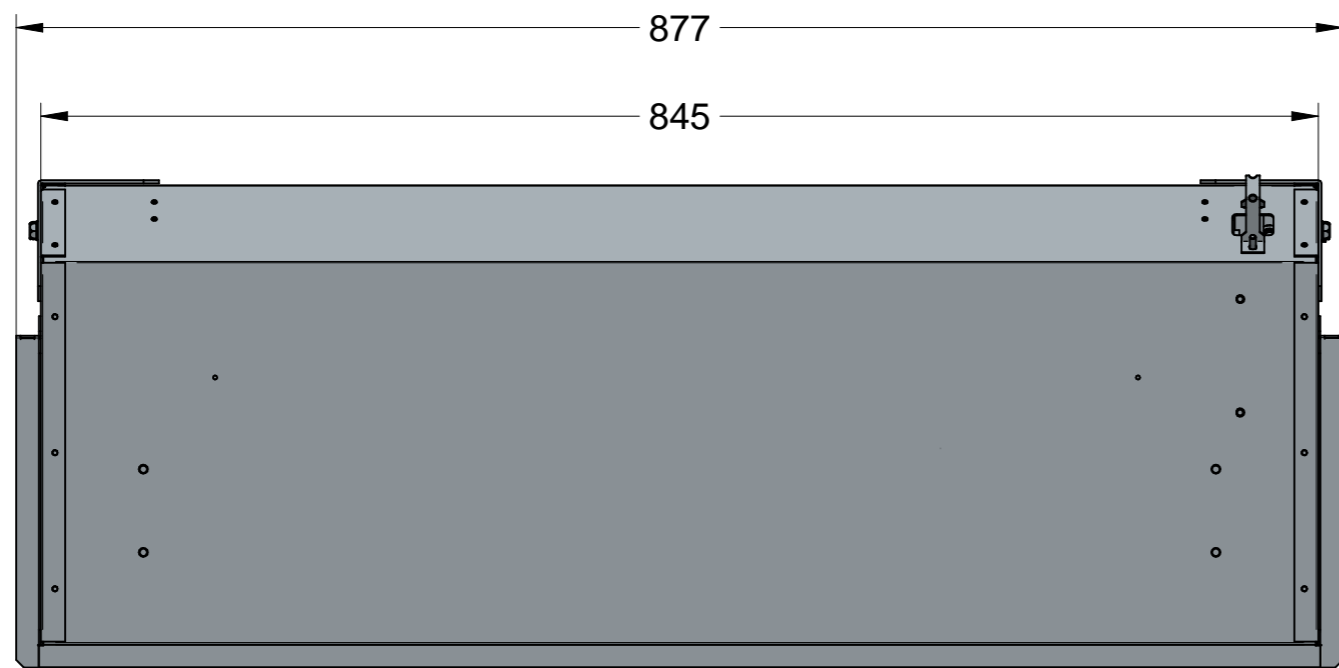
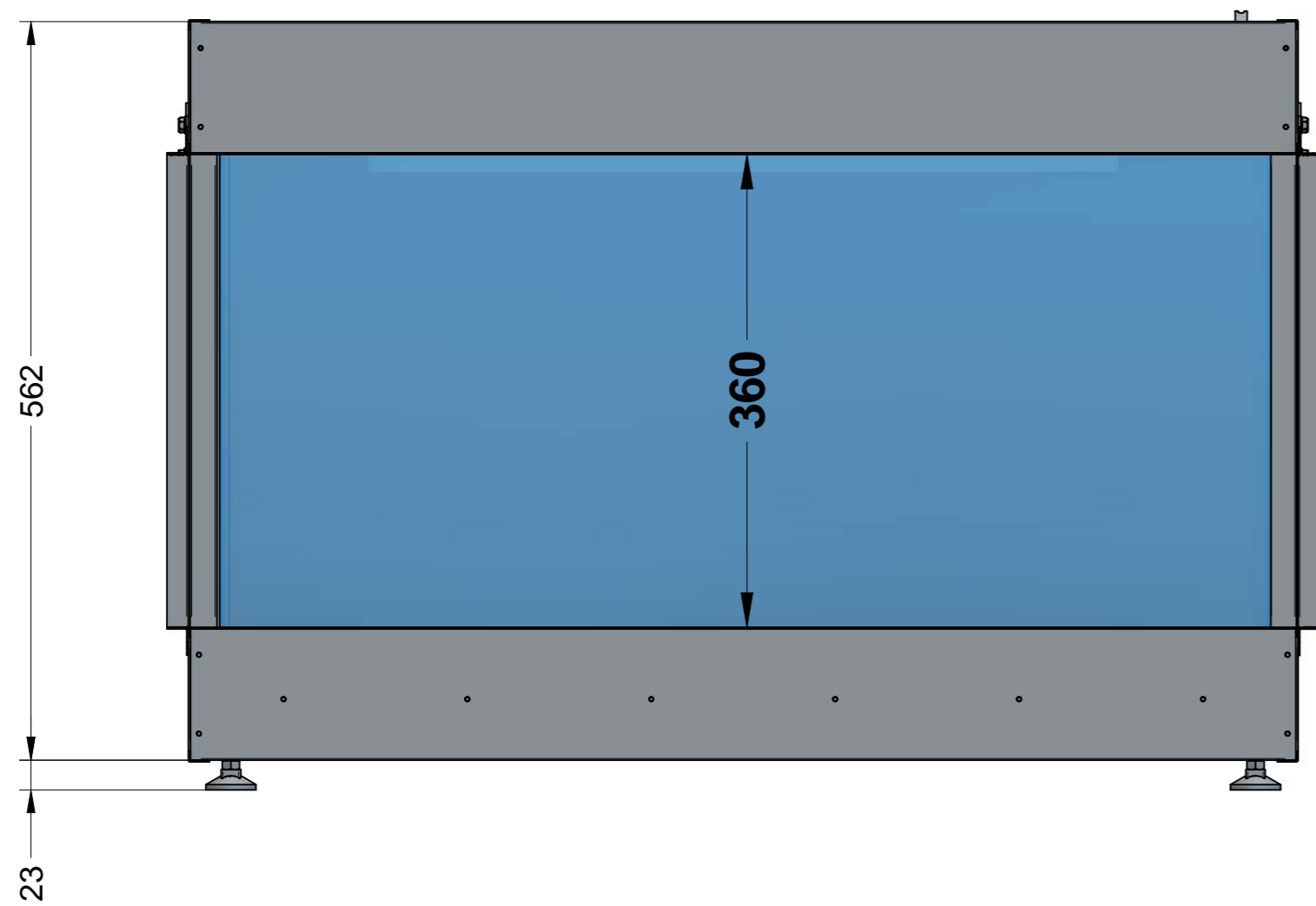


DO NOT SCALE					THIRD ANGLE PROJECTION				
REVISION									
REV	DESCRIPTION	DATE	DRAWN	APPROVED					
A	AS DRWN	06/04/2021	EV	PB					

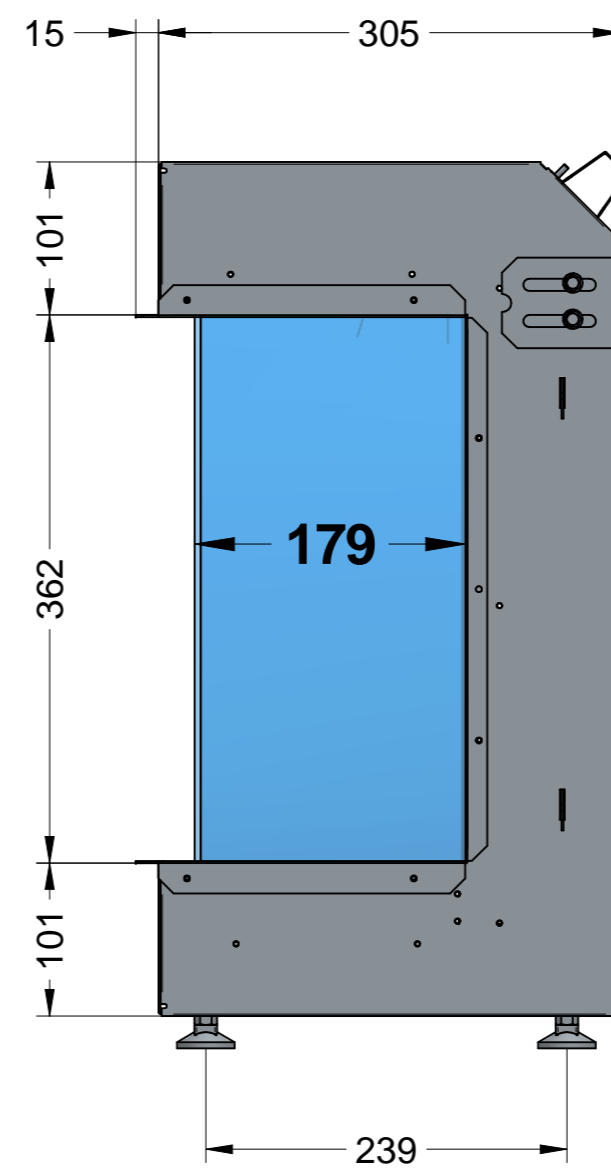
UNLESS OTHERWISE STATED, DEBURR ALL SHARP EDGES



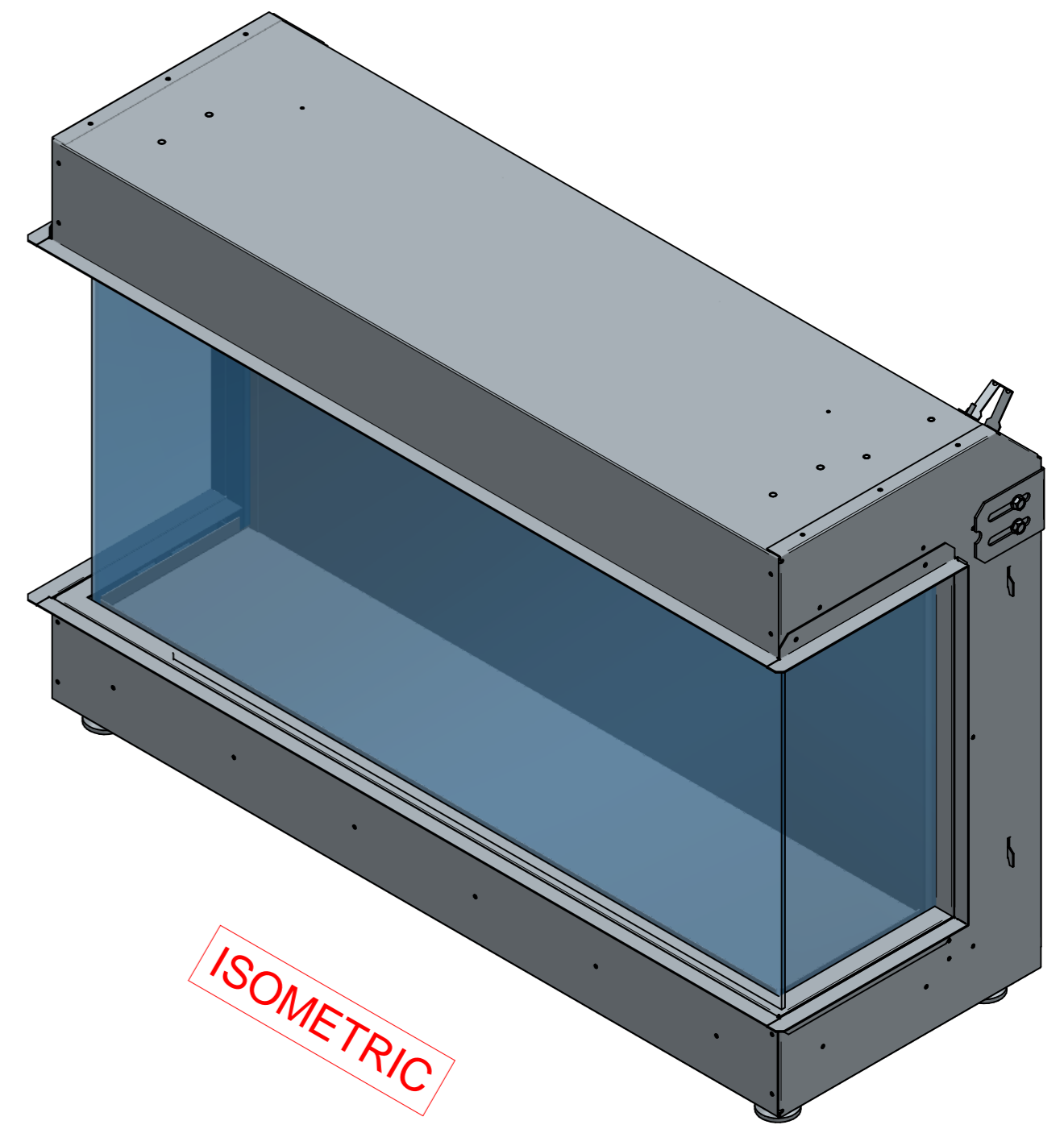
TOP ELEVATION



FRONT ELEVATION



SIDE ELEVATION



ISOMETRIC

UNLESS OTHERWISE SPECIFIED: DIMENSIONS ARE IN MILLIMETERS SURFACE FINISH: TOLERANCES: LINER: ± 0.2 mm ANGULAR ± 0.2 mm	DEBURR AND BREAK SHARP EDGES	MATERIAL: REFER CORRESPONDING DRWG	PAUL AGNEW DESIGNS	TITLE: 950 LAN GF3 UNIT	DWG NO: 950-LAN GF3	REVISION A		
		WEIGHT: 0.0 kg				FINISH: REFER BOM	SCALE:	
DO NOT SCALE DRAWING					DRAWN	DATE 15/08/2022	SHEET 1 OF 1	A3