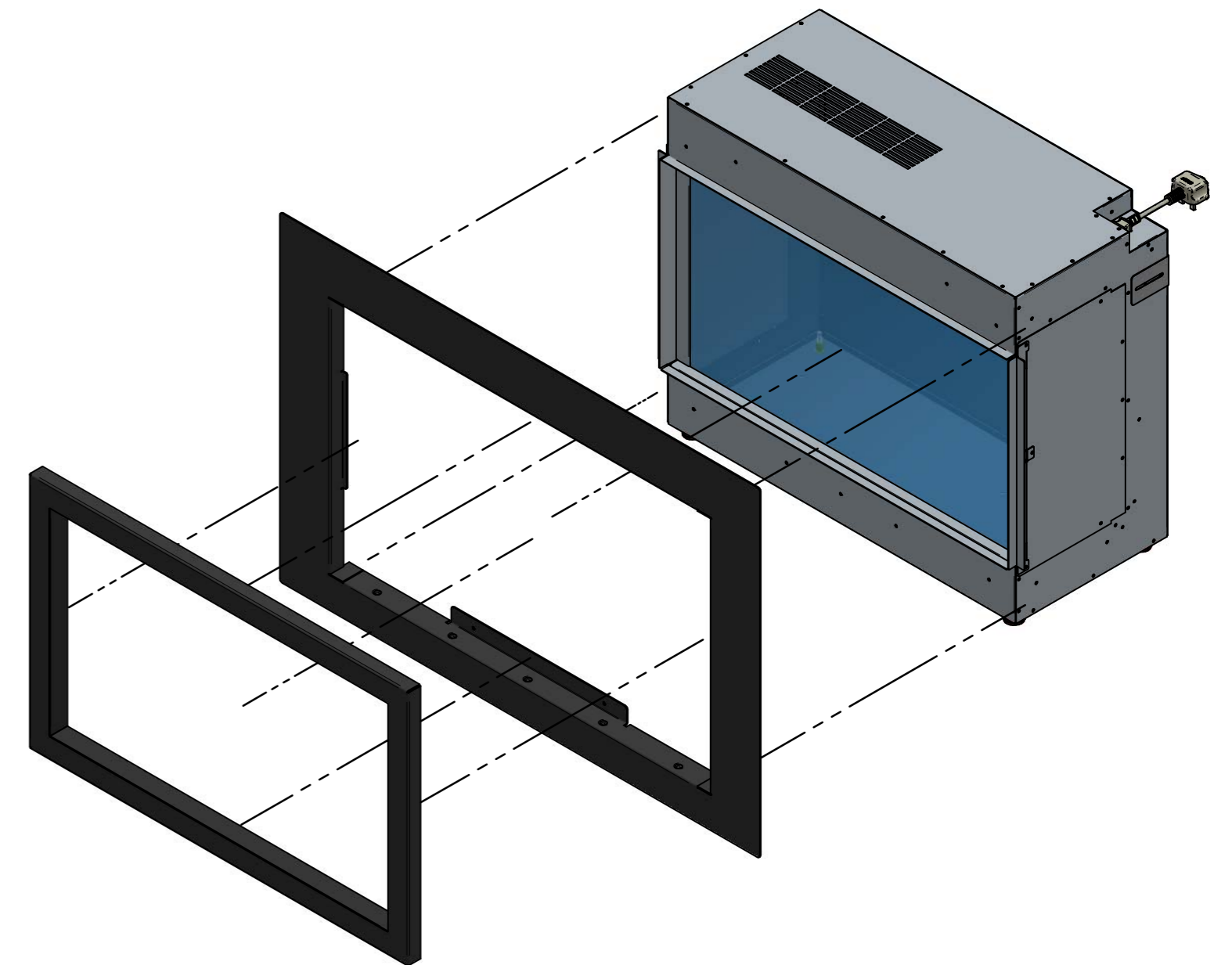
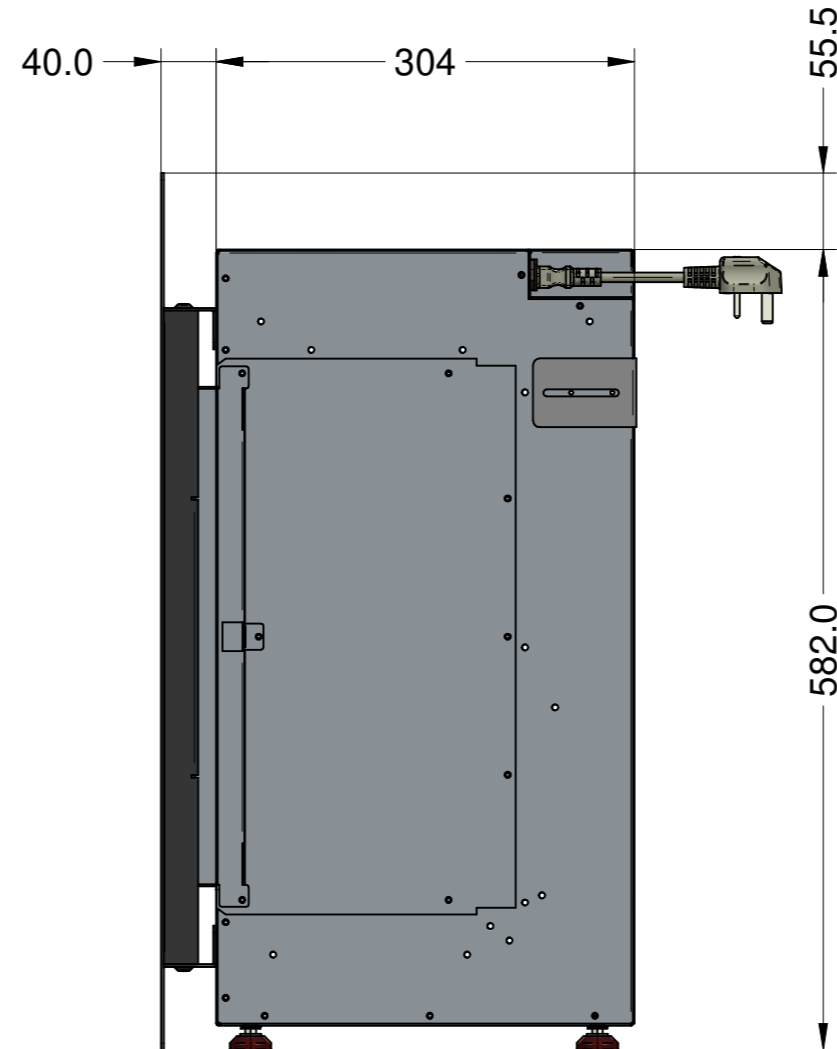
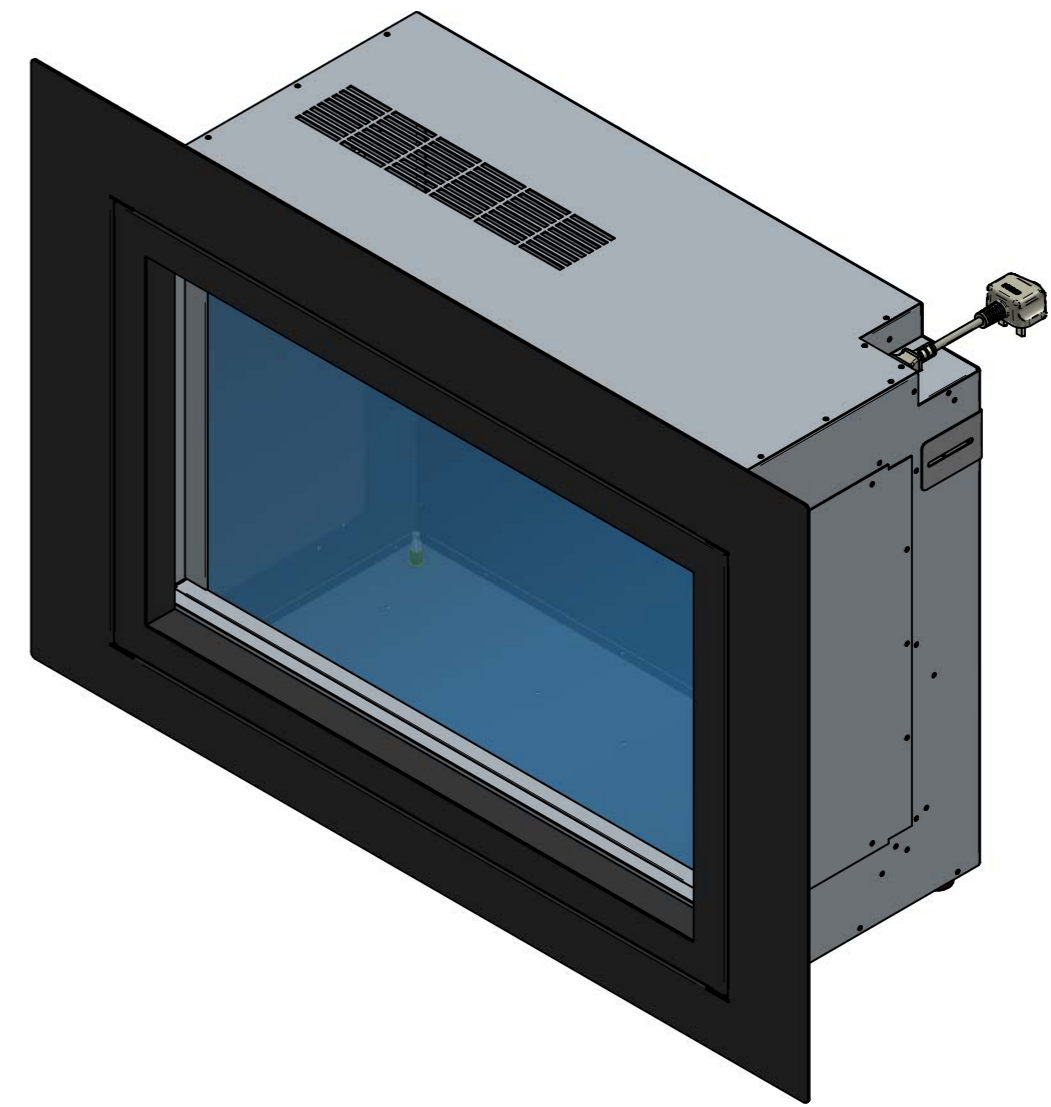
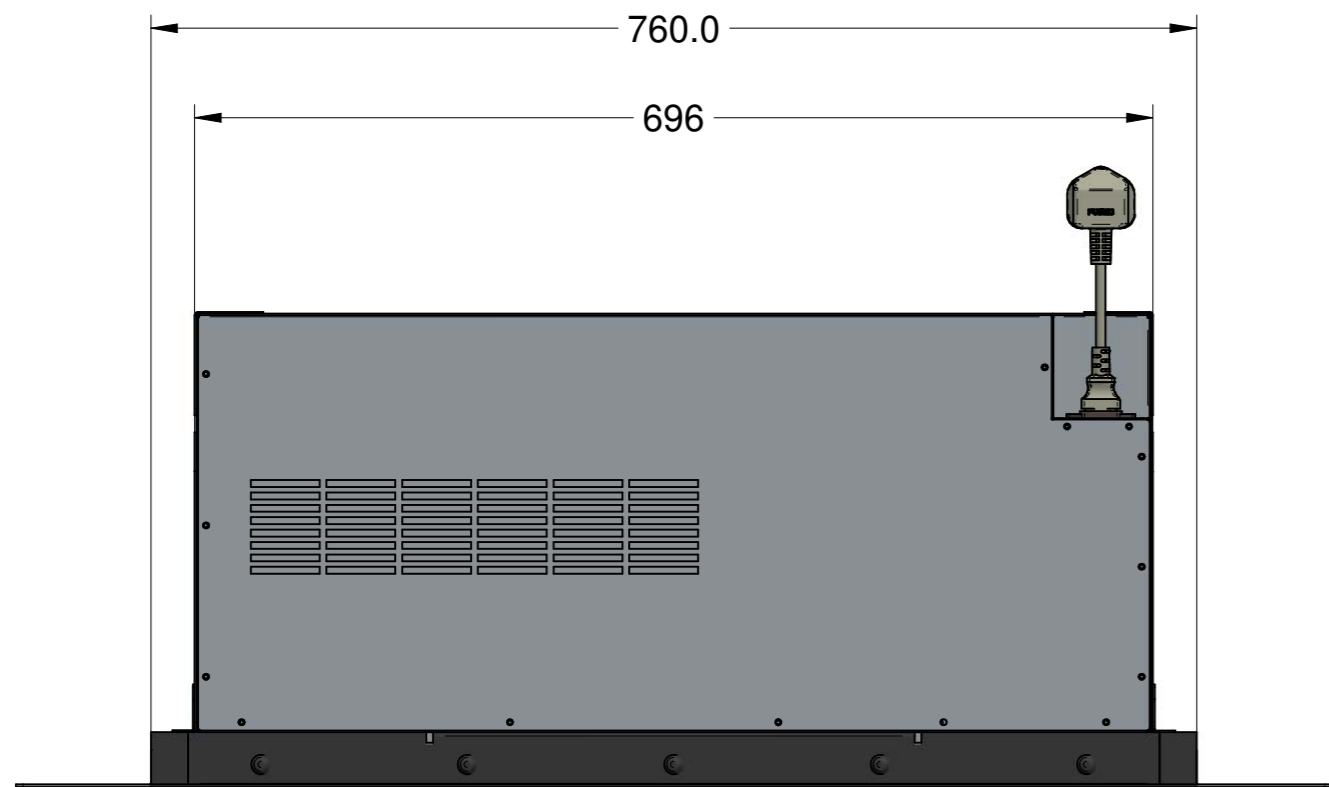


DO NOT SCALE				
THIRD ANGLE PROJECTION				
REVISION				
REV	DESCRIPTION	DATE	DRAWN	APPROVED
A	AS DRWN	06/04/2021	EV	PB

UNLESS OTHERWISE STATED, DEBURR ALL SHARP EDGES



UNLESS OTHERWISE SPECIFIED:  
DIMENSIONS ARE IN MILLIMETERS  
SURFACE FINISH:  
TOLERANCES:  
LINER: ±0.2 mm  
ANGULAR ±0.2 mm

DEBURR AND  
BREAK SHARP  
EDGES

MATERIAL: REFER CORRESPONDING DRWG  
WEIGHT: 0.0 kg  
FINISH: natural  
DO NOT SCALE DRAWING

PAUL AGNEW | DESIGNS

TITLE:  
950-LT FRAME ASSY

DWG NO:	950-LT F	REVISION	A
DRAWN	DATE 2/08/2022	SCALE:	A3
SHEET 1 OF 1			