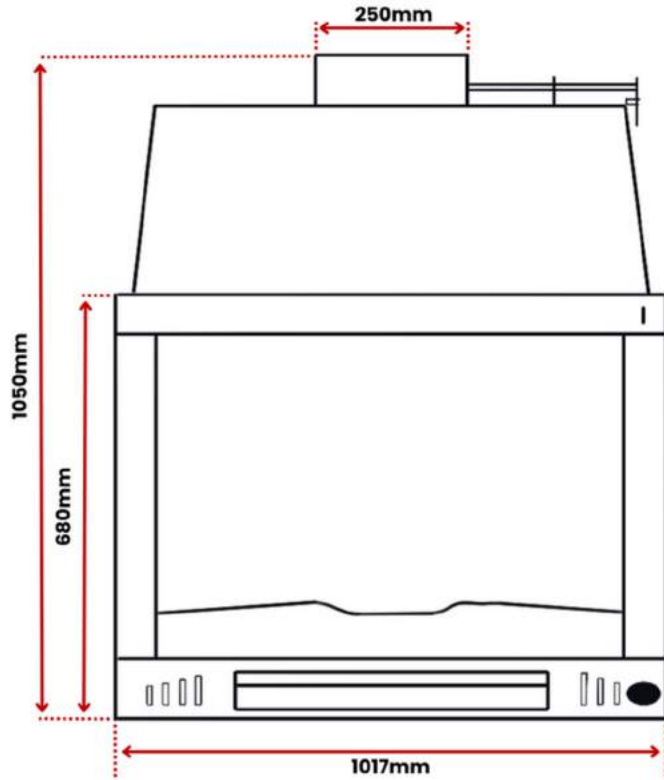




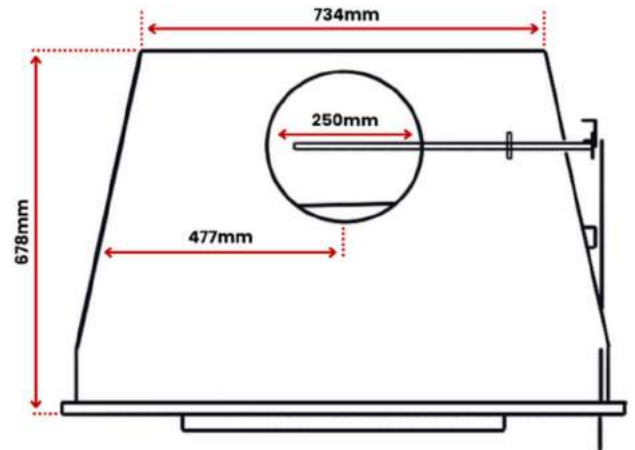
Upgrade your outdoor living with a masterpiece of form and function, the BH 100 transforms from an open fireplace to a BBQ in an instant.

Handcrafted in Spain with high-quality materials, this versatile outdoor appliance is built to withstand the test of time.

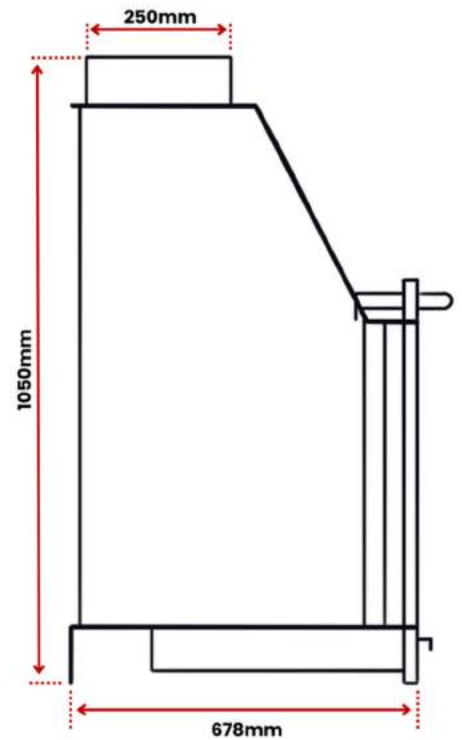
**FRONT**



**TOP**



**SIDE**



<b>MATERIAL</b>	High Quality Welded Steel
<b>AIRFLOW</b>	Dual airflow control (top damper & bottom air slide)
<b>FINISH</b>	Black High Temperature Paint
<b>WEIGHT</b>	95kg
<b>INCLUSIONS</b>	Removable Ash Tray Drawer Stainless Steel BBQ Grill Additional Paint Can Heat Resistant Glove