

# Hestia 1400 Guillotine

BASIC INSTALL SHEET



Version 1 10/06/23

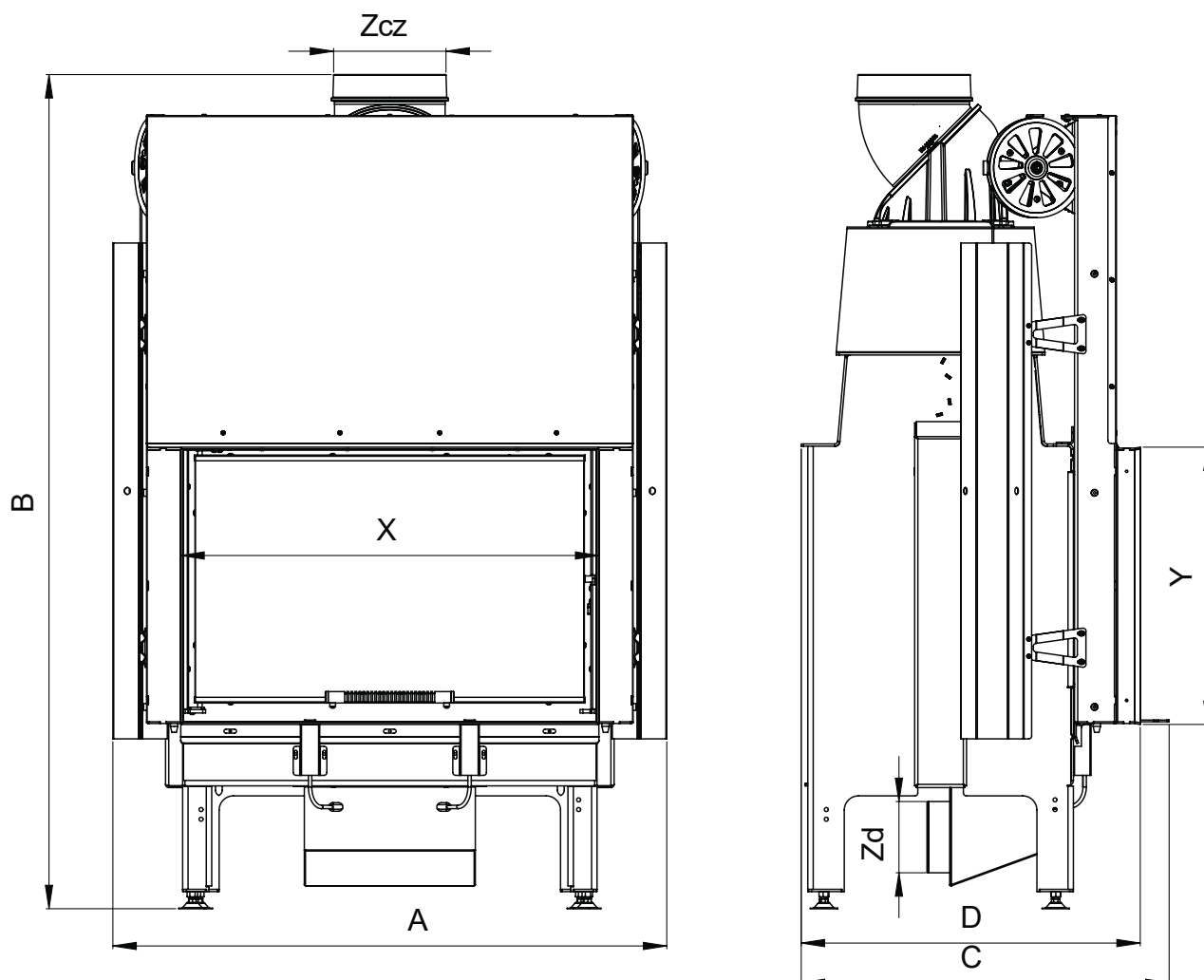
Contents of manual may be updated without notice.

For the latest version of this manual please refer  
to our website: [www.livingfire.com.au](http://www.livingfire.com.au)

**PAUL AGNEW** | **DESIGNS**

# Hestia 1400 GUILLOTINE

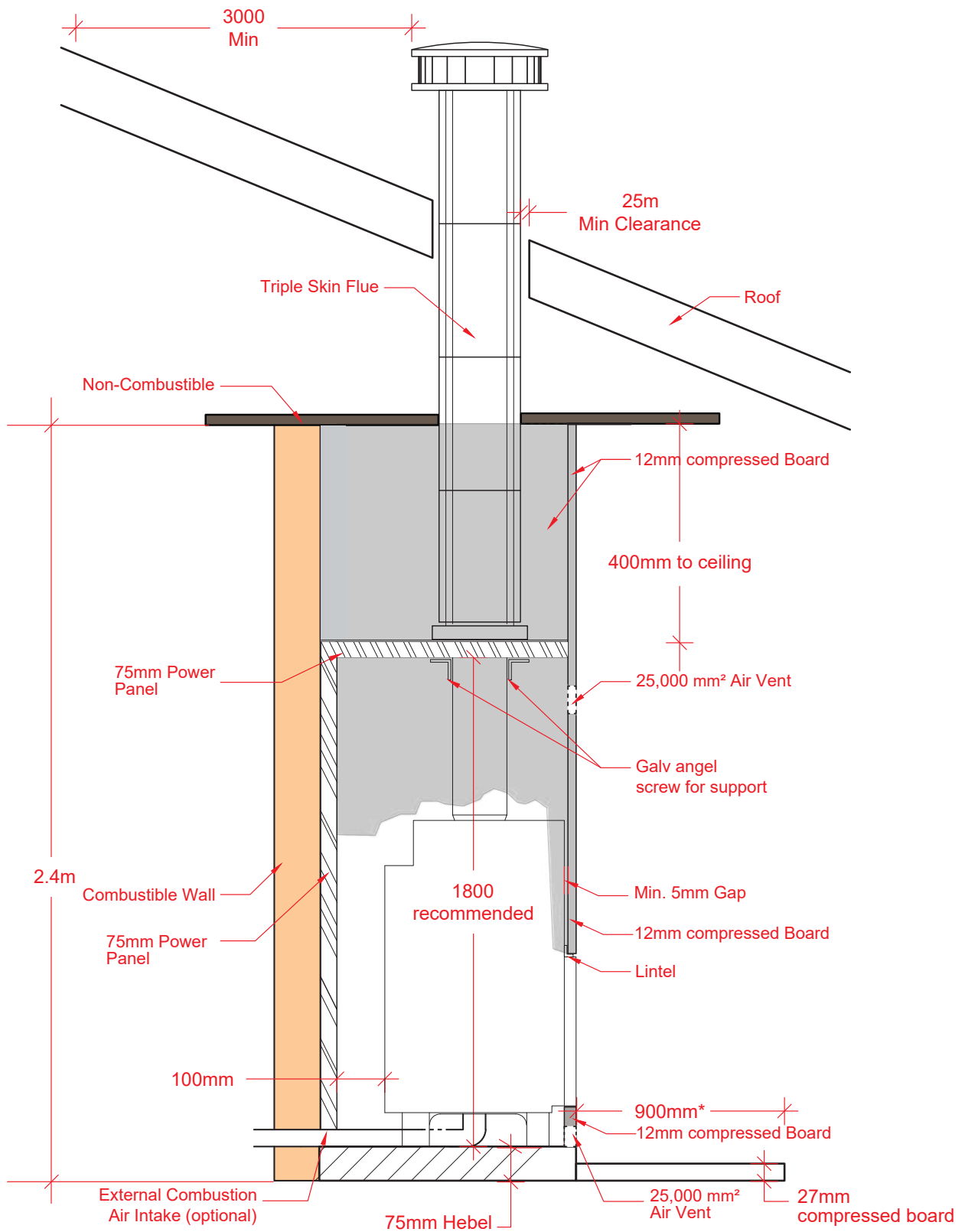
## FIREBOX DIMENSIONS



Dimensions [mm]	HESTIA 1200 Guillotine Glass Fronted
A	1474
B	1604
C	662
D	595
X	1254
Y	492
Zcz	200
Zd	125

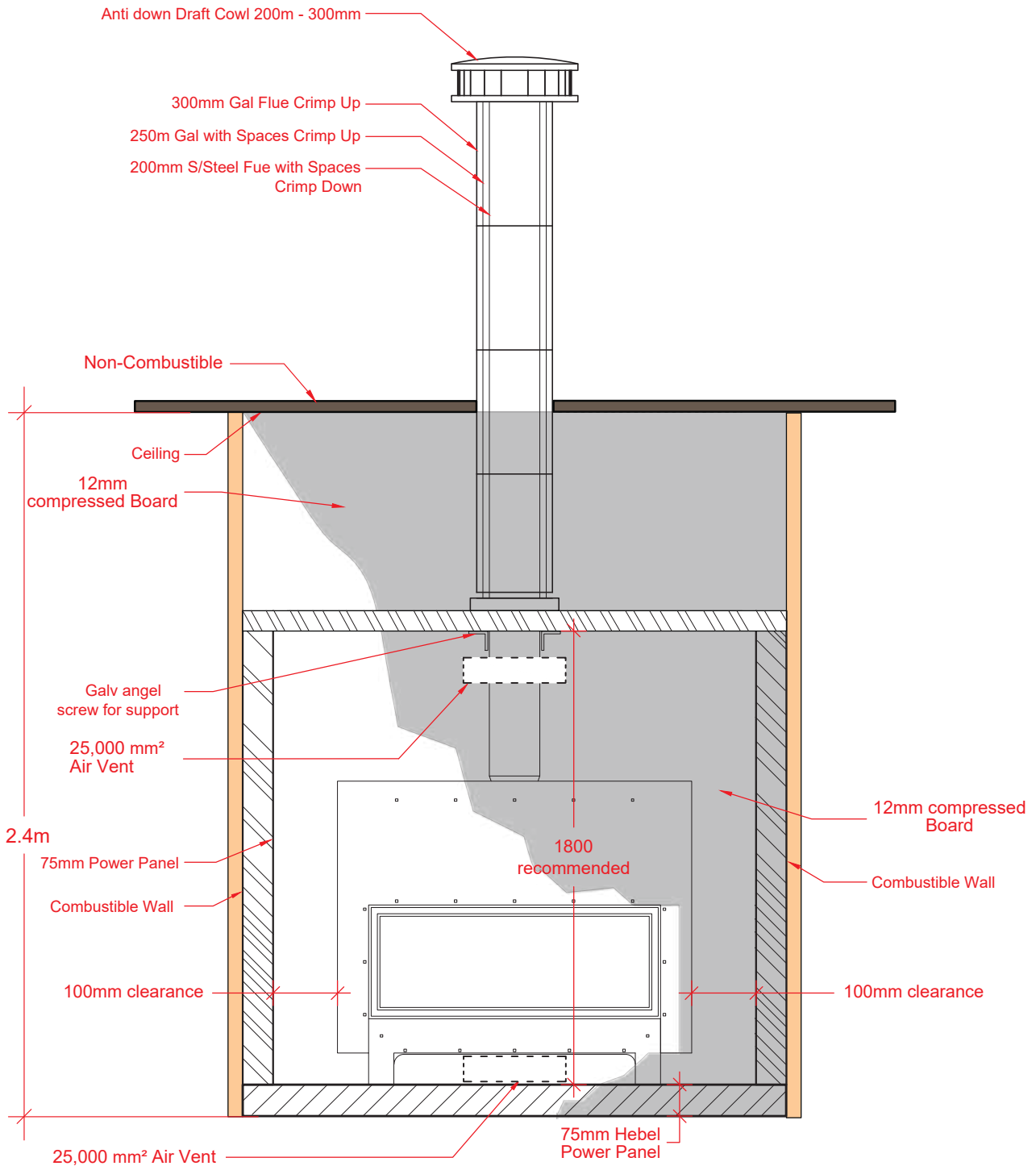
# Hestia 1400 GUILLOTINE

## HEBEL ENCLOSURE



# Hestia 1400 GUILLOTINE

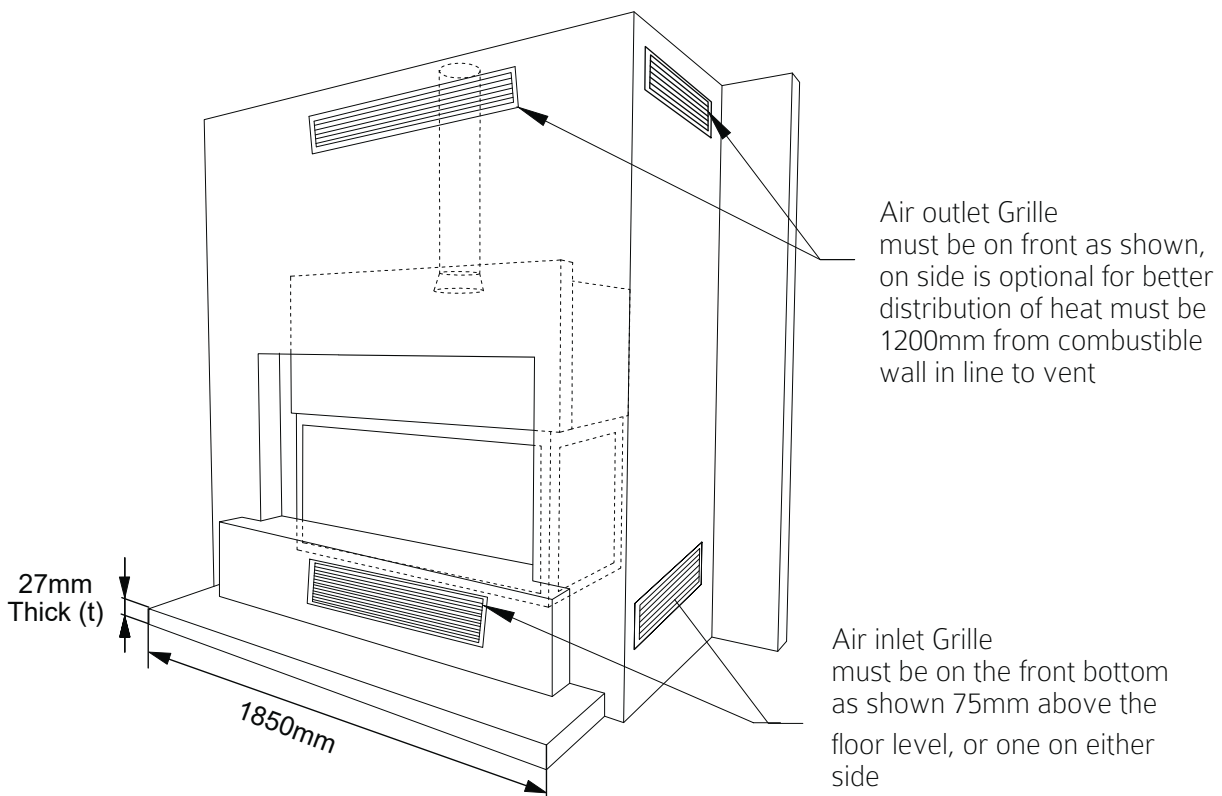
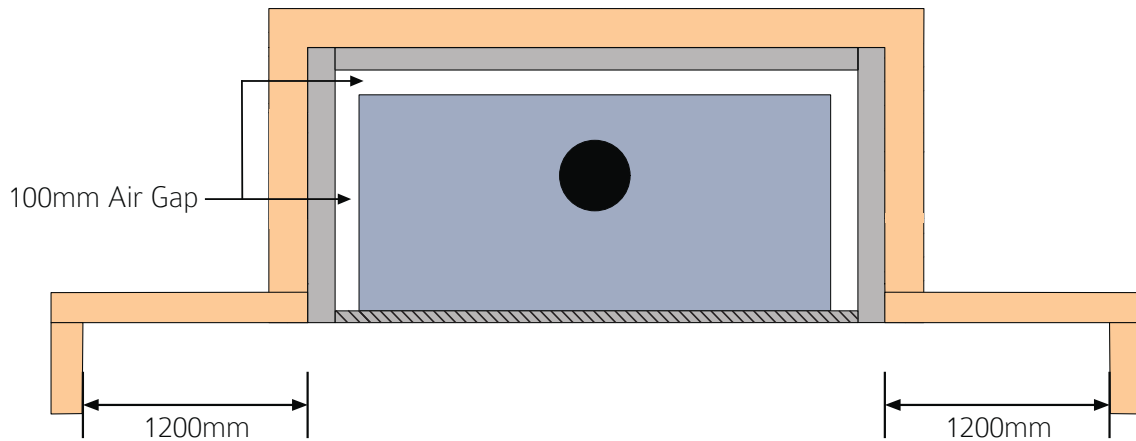
## HEBEL ENCLOSURE



# Hestia 1400 GUILLOTINE

## Clearance Diagram

75mm Hebel Power Panel
  Combustible wall
  Compressed Board



### Notes:

1. Air outlet grilles minimum air flow area required = 250cm<sup>2</sup>.
2. Air inlet grilles minimum air flow area = 250cm<sup>2</sup>.
3. All dimensions in millimeters.
4. Do not scale from these diagrams.
5. Air transfer kits mandatory for exempt units to comply to AS/NZ 4012/4013:2014. Fan optional depending on duct length.

**IMPORTANT: NO BRICKWORK TO BE COMMENCED UNTIL FIREBOX IS PLACED IN POSITION**

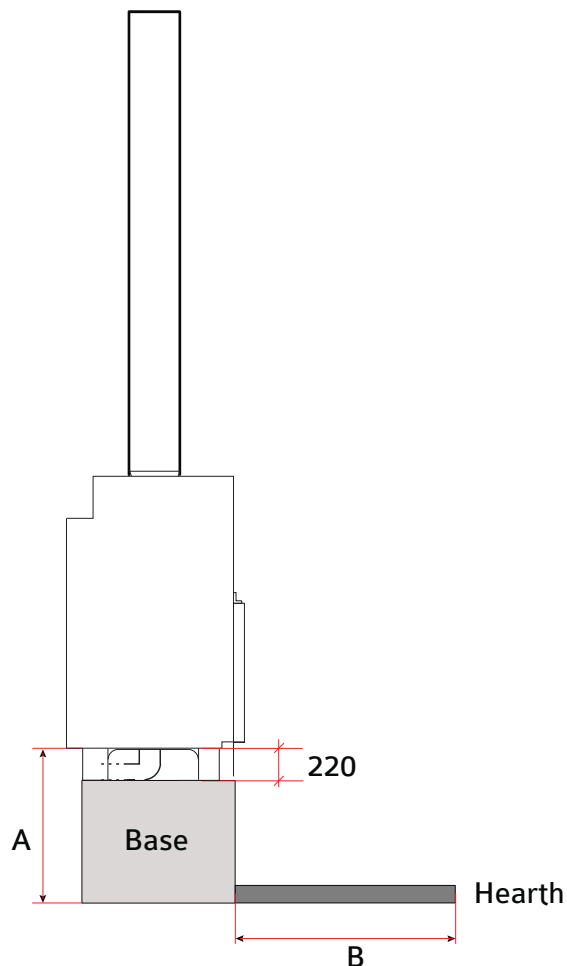
# Hestia 1400 GUILLOTINE

---

## Hearth Clearance information

---

Please refer to the table below for the reference to your hearth. The 'A' measurements references the height of the unit off the floor and the 'B' measurement references the forefront of the hearth from the glass of the heater.



A	B
295 (minimum)	900
400	859
500	800
600	730
700	640
800	500
900	295 (minimum)