

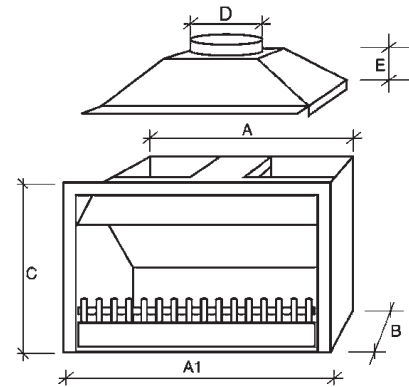
SPECIFICATIONS

*Dimensions in millimetres

Jetmaster Universal

Heating capacity (Sqm)

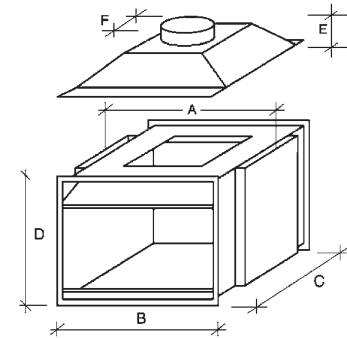
	A	A1	B	C	D	E	WOOD	GAS***
440	470	510	330	610	200	200	25	25
500	570	600	350	650	200	200	25	25
600	670	700	350	650	200	200	40	40
600 LOW	670	700	350	600	200	200	40	40
700SH	770	800	350	650	200	200	50	50
700SH LOW	770	800	350	600	200	200	50	50
700D	770	800	400	700	225	200	60*	50
850	920	950	450	750	250	220	80	60
850 LOW	920	950	450	700	250	220	80	60
1050	1120	1150	500	800	300	240	100	-
1050 LOW LOW	1120	1150	500	700	300	240	100	50
1200	1250	1300	605	1020	250**	400	150	-
1500	1550	1600	605	1020	300**	400	150	-



*Tested to 15Kw at maximum burning.

**Requires 2 flue outlets (single flue option also available).

***Depending on type of burner.



Jetmaster Double Sided

Heating capacity (Sqm)

	A	B	C	D	E	F	WOOD	GAS**
700	850	800	610	700	220	345*	60	40
1050	1205	1150	600	770	233	455	80	-

*NB: A 300mm flue can be used with gas.

**Depending on type of burner.

Jetmaster Freestanding

Heating capacity (Sqm)

	A	B	C	D	WOOD	GAS*
600	1000	390	845	200	50	50
700SH	1050	390	845	200	60	50
700D	1100	440	945	225	80	60
850	1200	490	995	250	100	70

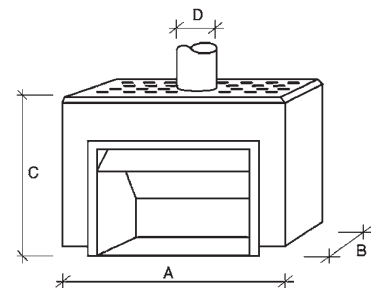
*Depending on type of burner.

GAS APPROVED

Jetmaster gas burners are AGA approved as type 1 appliances.

WOOD APPROVED

Jetmaster Fires have qualified for the National Certificate of Exemption for Solid Fuel Heaters. This certificate is issued under Section 14 of the relevant legislation in that the maximum Carbon Dioxide output from the combustion chamber is less than 5% of the volume of the appliance.



The Jetmaster Guarantee

Provided the Jetmaster Fireplace is installed according to Jetmaster instructions and a Jetmaster receptacle is used for fuel burning, the unit* is unconditionally guaranteed for a period of 15 (fifteen) years (excluding rust) from the date of installation of the fireplace.

*Not including the log pan, glass doors or gas burner.



Brilliant Heat. Beautiful to Watch.

For the entire Jetmaster range,
visit your nearest showroom or visit
jetmaster.com.au | 1300 538 627