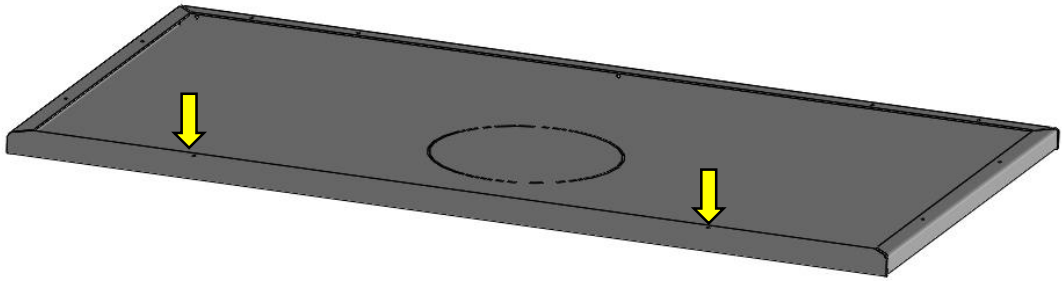
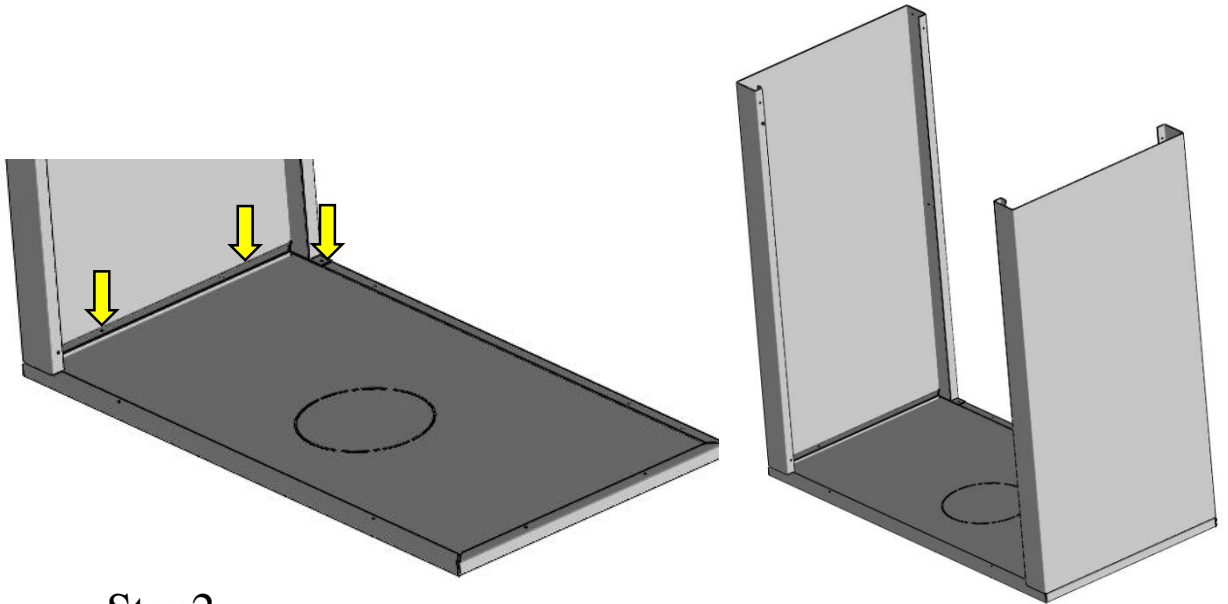


# HEAT AND GLO FREESTANDING BOX ASSEMBLY INSTRUCTION



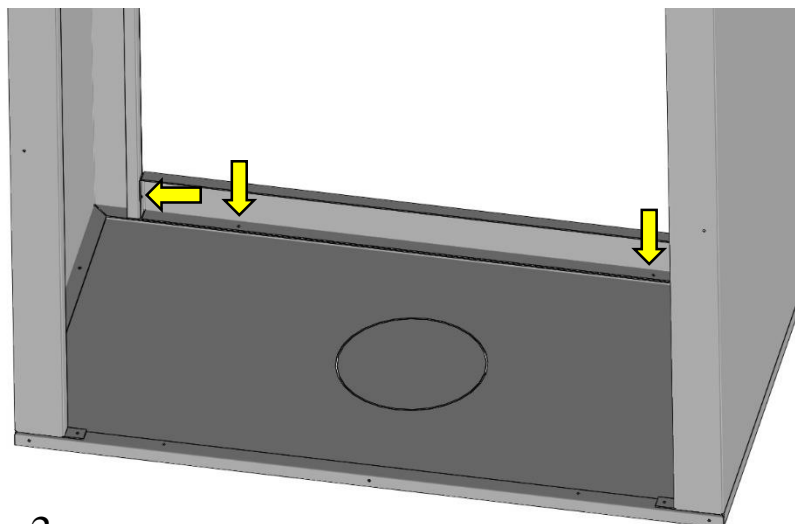
## Step 1

Use a clean dry flat surface and lay the top panel upside down in orientation. The flue hole is closer to the edge on one side. This edge is the front edge of the top panel.



## Step 2

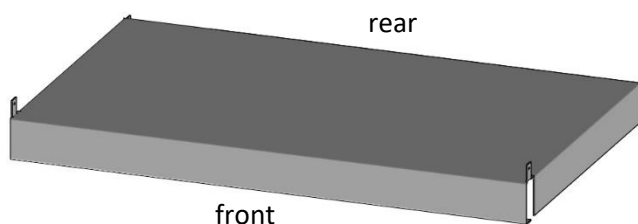
Use the existing holes on the top panel to place the 2x side panels into position. Use the screws supplied to fasten the components together.



## Step 3

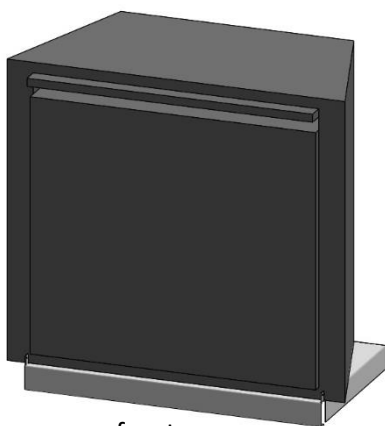
Add the front panel by screwing the part to existing holes in the top and side panels.

# HEAT AND GLO FREESTANDING BOX ASSEMBLY INSTRUCTION



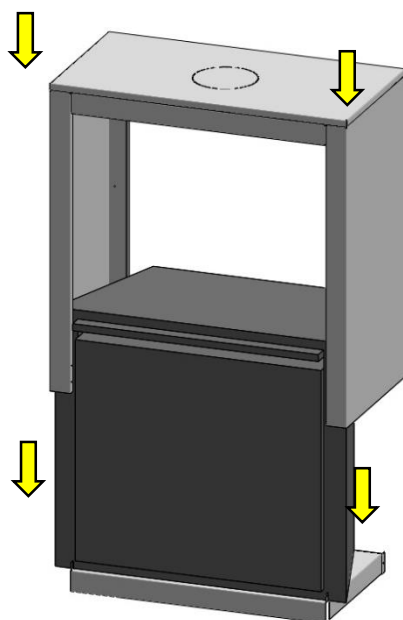
## Step 4

Again using a flat clean surface, lay down the base panel as shown.



## Step 5

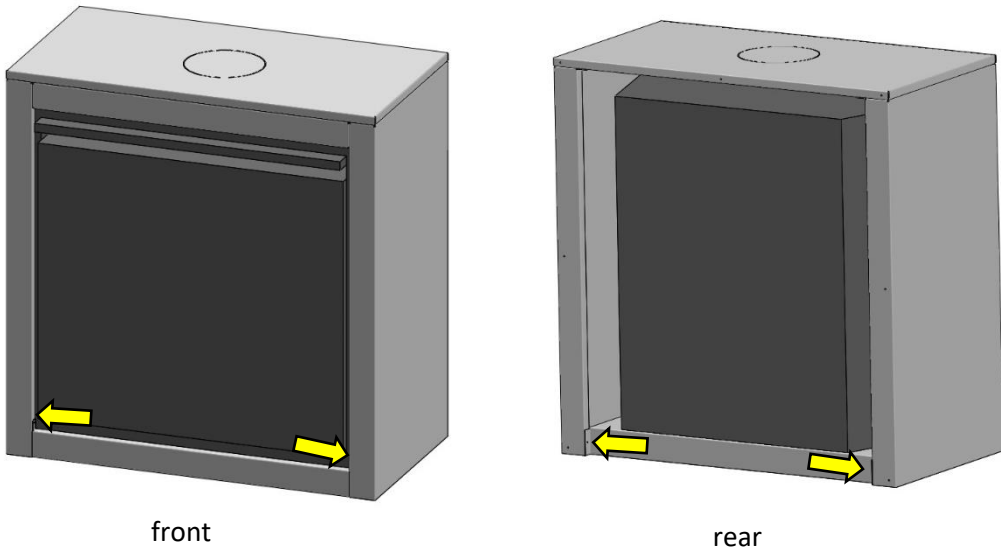
Unpack the heat and glo unit. Position the unit on top of the base panel approximately 20mm from the front face of the base panel, and make sure there are equal over hangs from the left and right hand edges of the base panel to the edges of the appliance.



## Step 6

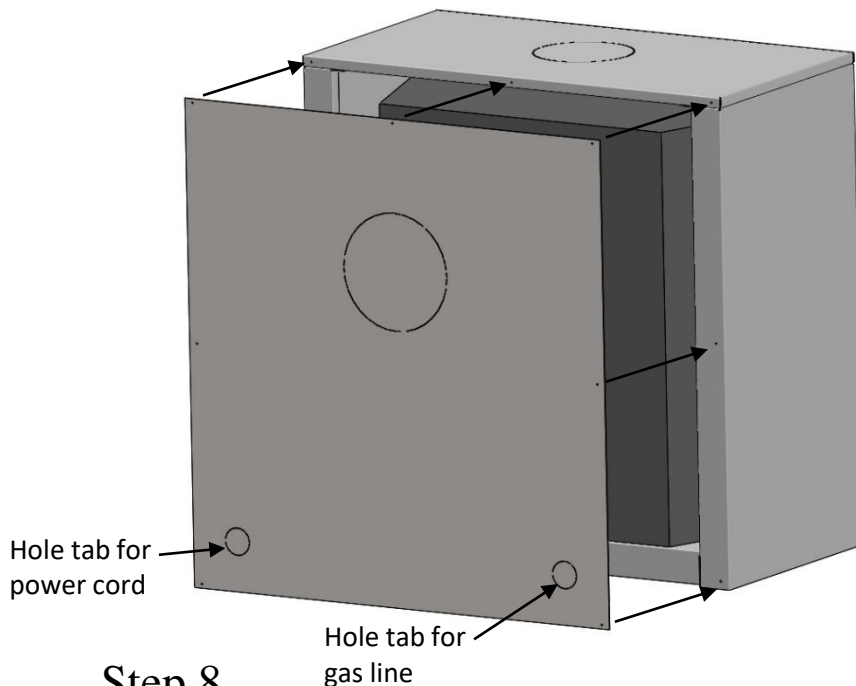
Gently slide the assembled side, top and front panel over the appliance. Avoid excessive scratches so as to limit paint re-touch later. Align all the pre existing holes and make sure the base panel and sides are flush on assembly. Use the existing holes and assemble the side assembly to the base. The appliance can then be secured by screwing the unit to the base panel. Pull the unit forward and make sure there are equal gaps on the sides. The area where the compliance plate are stored can be utilised.

# HEAT AND GLO FREESTANDING BOX ASSEMBLY INSTRUCTION



## Step 7

Use the existing holes to secure the side panel assembly to the base panel. There are 2 holes on the front and 2 holes at the back. Make sure the gas line hose is connected and exits to the side of the appliance.



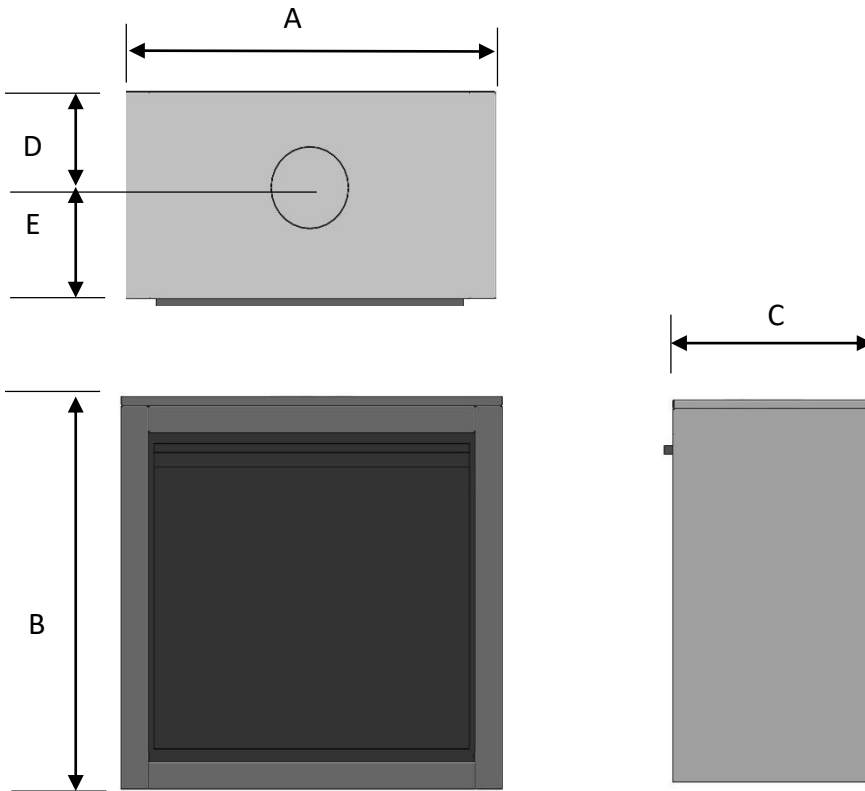
## Step 8

Before attaching the rear panel to the freestanding box assembly, make sure the power cord and gas line hose exits through the rear panel holes. Push out the hole tabs as required. The gas line connector can be accessed through the front of the unit. Screw the rear panel on and the assembly is complete.

NOTE: The paint might have to be touched up to hide the scratches obtained during the assembly process.

# HEAT AND GLO FREESTANDING BOX DIMENSION AND CLEARANCES

## Dimensions:



MODEL	A	B	C	D	E
3X	855	880	452	243	209
5X	931	930	452	243	209

**\*\*NOTE: Must specify if top or rear flue when ordering**

## Clearances:

