



LIVING FIRE



Vue  
bay  
Gas Fire

By PAUL AGNEW | DESIGNS<sup>®</sup>



# Vue bay

Exclusively brought to Living Fire by Paul Agnew Designs.

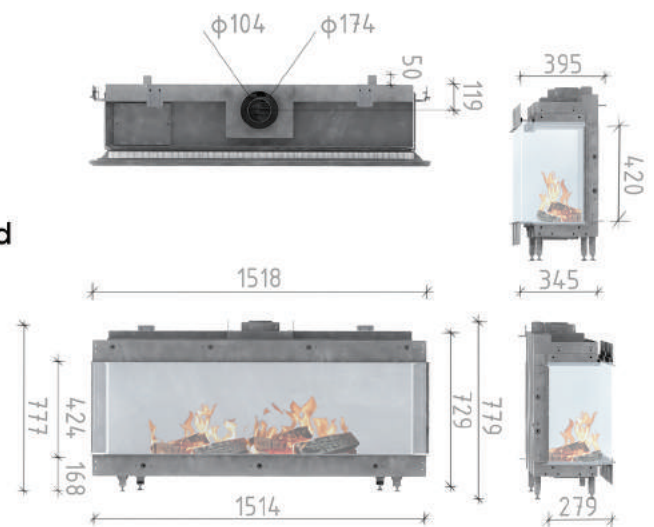
This Vue Bay gas fire design is composed of three pieces of glass, creating a bay-style look, which enables exceptional vision of the beautiful flame pattern to be experienced and utilised within a space without interference.

Its seamless finish and clean line design allow for a contemporary installation and focus on both aesthetic and functionality.

With double-glazed glass features on every model and the latest in balanced flue technology, this product is the perfect addition to a multitude of design environments

## Specifications

- Minimalism in design
- Double glazed
- AGA gas safety and high efficiency heaters approved
- Balanced flue technology
- 1514mm landscape glass width
- Intelligent three burner technology
- Available on natural gas & LPG
- Heat output 9.15 kW
- Suitable for central house automation
- Full remote-control operation, timer and eco function
- Wi-Fi compatible with App
- Natural convection and radiant heat output
- Realistic burnt log media
- Different by design



[livingfire.com.au](http://livingfire.com.au)

