



The logo for nectre, featuring a stylized orange flame icon above the word "nectre" in a lowercase, orange, sans-serif font.

INBUILT WOOD
HEATER

INSTALLATION INSTRUCTIONS

EFFICIENT • WARM • FRIENDLY



NECTRE INBUILT (MK2)



Glen Dimplex Australia proudly supports the activities of Landcare Australia through its membership of the AHHA.

TABLE OF CONTENTS

1. Important Information.....	2
2. Installing the Heater.....	2
2.1. Standard Installation	3
2.2. Floor Protector (Hearth)	3
3. Installing the Baffle Plate	3
4. Installing the Fire Bricks	4
5. Installing the Ash Plate.....	4
6. Technical Drawings.....	5

THE INSTALLATION INSTRUCTIONS IN THIS MANUAL APPLY TO THE NECTRE INBUILT (MK2).

IT HAS BEEN TESTED FOR EMISSIONS AND EFFICIENCY AND COMPLIES ACCORDING TO AS/NZS 4012:2014 & AS/NZS 4013:2014.

IT HAS ALSO BEEN TESTED FOR SAFETY INSTALLATION CLEARANCES IN ACCORDANCE WITH AS/NZS 2918:2018

1. IMPORTANT INFORMATION

Most building regulatory Authorities in Australia require any wood heater installation to comply with Installation Standard AS/NZS 2918:2018. Different states and councils may have varying regulations. Check local building regulations before installing the appliance.

All Nectre wood heaters have been tested to ensure that they will meet the appropriate safety Standard requirements if the instructions in this manual are followed. As the safety and emissions performance can be affected by altering the appliance, no modifications are allowed without written permission from the manufacturer.

WE RECOMMEND THAT THE INSTALLATION OF YOUR NECTRE WOOD HEATER BE CARRIED OUT BY A QUALIFIED INSTALLER.

WARNING: THE APPLIANCE AND FLUE SYSTEM SHALL BE INSTALLED IN ACCORDANCE WITH AS/NZS 2918:2018 AND THE APPROPRIATE REQUIREMENTS OF THE RELEVANT BUILDING CODE OR CODES.

WARNING: APPLIANCES INSTALLED IN ACCORDANCE WITH THIS STANDARD SHALL COMPLY WITH THE REQUIREMENTS OF AS/NZS 4012 & AS/NZS 4013 WHERE REQUIRED BY THE REGULATORY AUTHORITY, I.E. THE APPLIANCE SHALL BE IDENTIFIABLE BY A COMPLIANCE PLATE WITH THE MARKING 'TESTED TO AS/NZS 4012 & AS/NZS 4013'.

ANY MODIFICATION OF THE APPLIANCE THAT HAS NOT BEEN APPROVED IN WRITING BY THE TESTING AUTHORITY IS CONSIDERED TO BE IN BREACH OF THE APPROVAL GRANTED FOR COMPLIANCE WITH AS/NZS 4012 & AS/NZS 4013.

CAUTION: MIXING OF APPLIANCE OR FLUE-SYSTEM COMPONENTS FROM DIFFERENT SOURCES OR MODIFYING THE DIMENSIONAL SPECIFICATION OF COMPONENTS MAY RESULT IN HAZARDOUS CONDITIONS. WHERE SUCH ACTION IS CONSIDERED, THE MANUFACTURER SHOULD BE CONSULTED IN THE FIRST INSTANCE.

CAUTION: CRACKED AND BROKEN COMPONENTS, EG. GLASS PANELS OR CERAMIC TILES, MAY RENDER THE INSTALLATION UNSAFE.

2. INSTALLING THE HEATER

The Nectre Inbuilt (MK2) is designed to be installed in a concrete, brick or stone fireplace which is attached to a chimney and has a non-combustible floor protector.

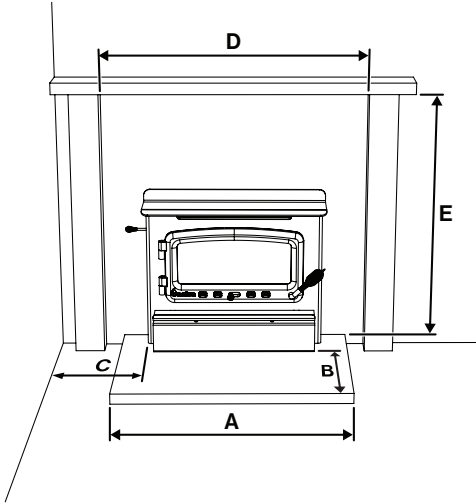
1. Check and clean the chimney and fireplace.
2. Prepare the opening so that the heater will seal against the sides of the fireplace. If the opening is too large it can be reduced by fitting a sheet of heat tolerant material such as compressed cement sheet, or bricks, or with optional steel fascias available from Nectre.
3. The flue spigot in the heater is 45°. For a vertical flue, a 150mm 45° stainless steel flue bend needs to be fitted.
4. Install flue lengths up the chimney to atmosphere.
5. Insert the heater, and by gaining access through the removed top panel, fit the flue and 45° elbow together.
6. Refit the top panel into place.

The flue kit must be installed according to the manufacturer's instructions.

The dimensions given for the Nectre Inbuilt (MK2) represent the minimum clearance to combustible materials, eg. mantelpiece, when installed in a non-combustible fireplace.

For variations to clearances relative to a combustible mantelpiece refer to AS/NZS 2918 Clause 3.4.2.

2.1. STANDARD INSTALLATION



* If the base of the appliance is elevated a minimum of 110mm above the combustible floor in front, the floor protector depth may be reduced to 190mm extending from the front of the fan/appliance (300mm from the firebox door opening), continuing underneath the heater and extending 200mm either side of the firebox opening (total width of 900mm). In this scenario, floor protector shall be constructed from cement bricks or equivalent with a thermal conductivity not greater than 1.7W/m °K.

For more details and variations on floor protectors refer to AS/NZS 2918:2018 Clause 2.2, 3.3.1, & 3.3.2.

3. INSTALLING THE BAFFLE PLATE

1. Place the baffle inside the firebox with the short notched fold at the rear and directed downwards (refer to diagram below for correct orientation).
2. Raise the front of the baffle, tilting it back and raise so that it clears and rests on the front support rods.
3. Raise the rear of the baffle, bringing it forward enough to clear the rear support rods.
4. Once clear of the rear support rods, push the baffle back so that it is resting hard up against the rear of the firebox and the notches are sitting neatly in place on the rear support rods.

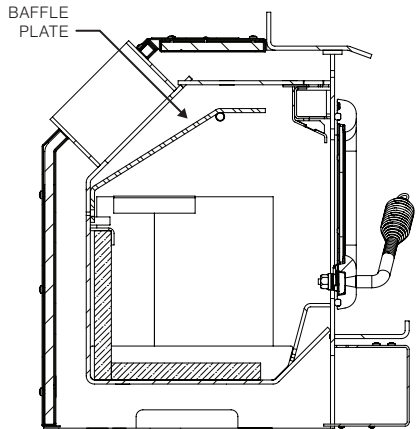
CLEARANCES
STANDARD INSTALLATION

Floor protector width - A	900mm
Floor protector depth - B (may be reduced - refer 2.2)*	290mm
Distance to wall - C	355mm
Width between columns - D	1050mm
Height to mantelpiece - E	1160mm

2.2. FLOOR PROTECTOR (HEARTH)

The dimensions given in the table above are the minimum required for the floor protector. It may be desirable, for example aesthetic reasons, for the floor protector to be larger than these minimum dimensions.

The floor protector shall be constructed of minimum 40mm thick compressed cement sheet with thermal conductivity not greater than 0.33W/m °K. The floor protector may be laid directly on the combustible floor.

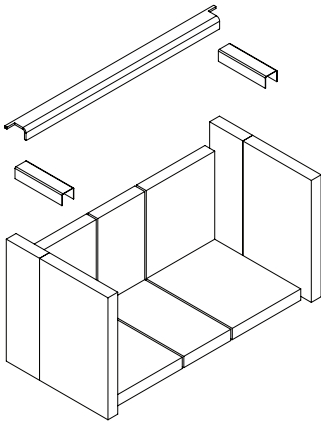


4. INSTALLING THE FIRE BRICKS

The Nectre Inbuilt (MK2) comes with ten fire bricks, which should be installed after the baffle plate.

- Two full size (220 x 175 x 25) and one (220 x 120 x 25) lining the firebox base
- Two full size (220 x 175 x 25) and one (220 x 120 x 25) upright at rear of firebox
- One tall (270 x 175 x 25) and one half size tall (270 x 85 x 25) on either side of the firebox.

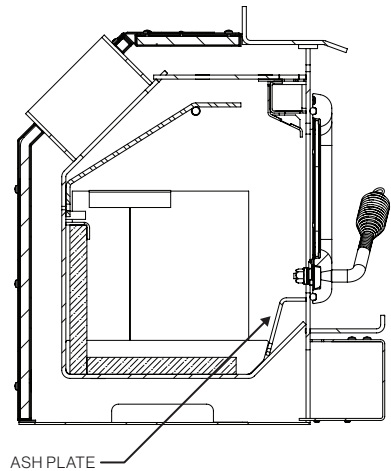
Place the base and rear bricks in first, then fit retainer over the top of the rear bricks. Then, place tall bricks on either side, ensuring they are pushed towards the rear of the firebox thereby holding the rear brick retainer in place. Secure with additional brick retainers. Ensure bricks are correctly arranged as per the diagram below:



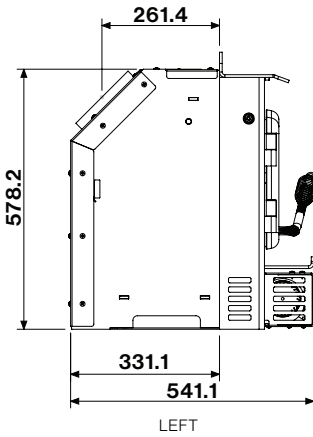
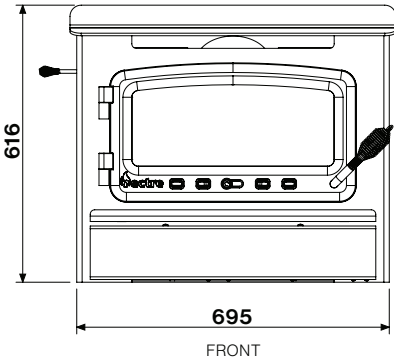
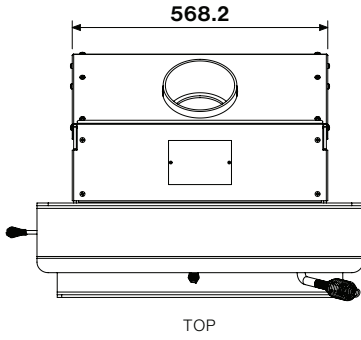
5. INSTALLING THE ASH PLATE

The Nectre Inbuilt (MK2) comes with an ash plate, which sits directly in front of the bricks and protects the lower front lip of the firebox.

Place ash plate at the very front of the firebox, in the notch created by the rails that hold the side bricks. Ash plate will rest against the inside edge of the door opening. See diagram below:



6. TECHNICAL DRAWINGS





Glen Dimplex Australia Pty Ltd

1340 Ferntree Gully Road,
Scoresby Victoria 3179
Australia

T: 1300 556 816 | F: 1800 058 900

Email: sales@glendimplex.com.au

www.glendimplex.com.au