



The New Inbuilt

The all new Nectre Inbuilt has arrived. Designed with an enormous firebox that is alluring to the eyes. It is elegantly crafted with a longer burn time to ensure those cozy moments last forever.



We are proud of our tradition, history and even more so to be one of the leading, Australian wood heater manufacturers since 1978.

nectre.com
1300 554 155

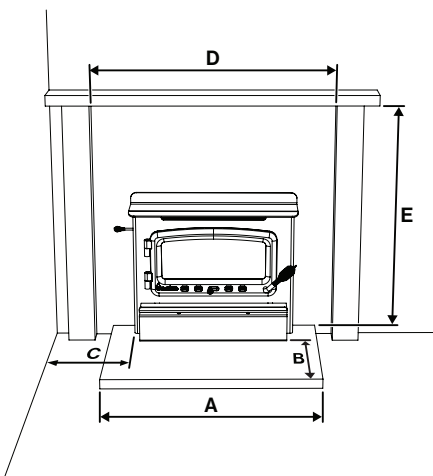


INBUILT

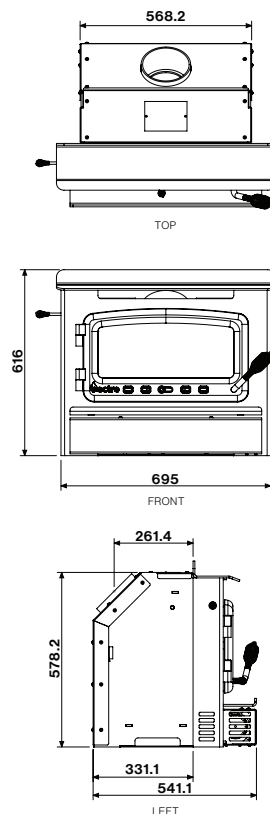
Heat Output
Efficiency
Emissions

- 13kW peak (10.5kW avg)
- 70% peak (62% avg)
- 0.9 grams/kg

Clearance



Dimensions



Features

- Alluring and elegant design
- Massive Firebox with a dimension of 500 X 340 X 300 and volume of 51 liters.
- Increased burn time
- Advanced remote control 3 speed fan.
- Excellent insulation for immense efficiency
- Hearth from front of appliance - 190 - 290* (depending on thickness)

Flue Sheilding	A	B	C	D	E
Installation	900	290	355	1050	1160

Note: *290mm hearth if thickness is 40mm, can be reduced to 190mm hearth if elevated on 110mm hearth, eg. brick hearth.
All measurements are in mm

