

VEKTOR 1100

COMPLETING LIVING SPACES WITH LUXURIOUS FIRESIDE EXPERIENCES

Utilising the latest in state of the art technology, the Vektor 1100 features an in-log burner to create an incredible campfire flame pattern with LED light bed under the media giving a glowing ember effect. The Vektor 1100 has a massive 10.6kW output, which will allow this fire to heat up to 150m². It has a star rating of 3.8 and comes with a remote control. The Vektor 1100 also has full Wi-Fi capability allowing remote control of the fire from your mobile device wherever you have internet connection. The versatile power-balanced flue options allow the fire to be installed in almost any location with horizontal or vertical runs up to 13.5m from the fire. The power flue technology provides safe room sealed operation which means there is no need for additional ventilation.

In-log burner creating a blazing campfire style flame

Glowing LED ember bed

2 internal finishes to match all décor types; Ribbed ceramic (shown in photo) or glass ROBAX® Magic Black

Modern edge to edge outer glass

Control via remote control or Wi-Fi app

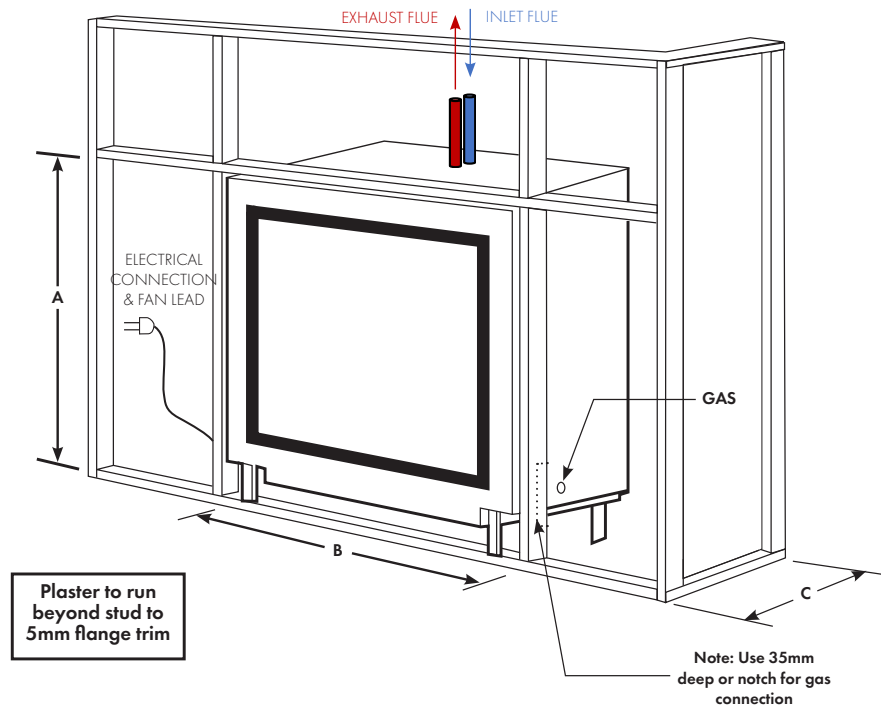
Power balanced flue up to 13.5m horizontally or vertically

*Natural Gas only



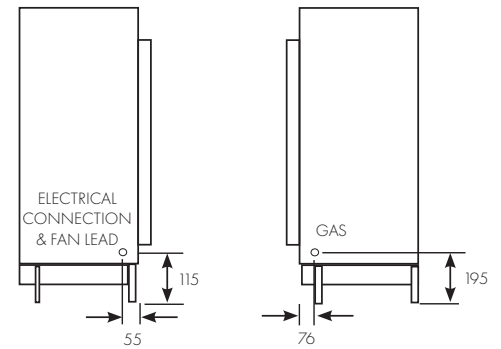
TECHNICAL SPECIFICATIONS

VEKTOR 1100



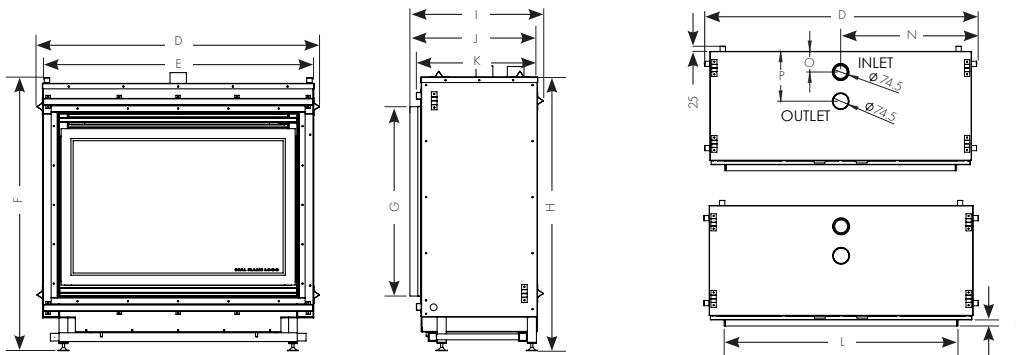
FRAME OUT DIMENSIONS

A	B	C
1300	1450	600



UNIT DIMENSIONS

D	E	F	G	H	I	J	K	L	M	N	O	P
1291	1240	1248	845	1220	591	564	535	1101	29	645	98	237



D, F, I - including clearance standoffs
 E, H, K - excluding clearance standoffs
 M - frameless trim depth

PERFORMANCE DATA



Room Size	M _j /h		kW		Star Rating
	H	L	H	L	
Up to 150m ²	46	41	10.6	9.4	3.8

CLEARANCES TO COMBUSTIBLES

50 mm clearance to combustibles from outlet/exhaust flue, 25mm clearance to combustible from ends and top. Zero clearance required at the bottom. If installing a combustible facing to the viewing sides, allow 25mm clearance above the top of the trim.

WARRANTY

Firebox : 15 Years Components: 2 years

VISIT WWW.REALFLAME.COM.AU FOR MORE TECHNICAL INFORMATION.

