



External air intake



2kg Pellets per hour



Easy to remove ash tray



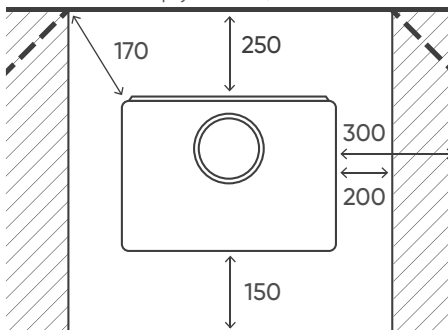
## Salzburg

Certificate of Compliance Nr. RRF-85 14 3839-1

Tested and complies with (EU) 305/2011 (CPR)

### Salzburg Clearances

Installed to comply with AS/NZS 2918:2018



<b>Capacity</b>	200sqm
<b>Efficiency</b>	Eu 90%-95%
<b>Emissions</b>	0.2g
<b>Pellet Usage</b>	0.5-2.5 kg/hr
<b>Weight</b>	126kg
<b>H/W/D</b>	1051/494/494